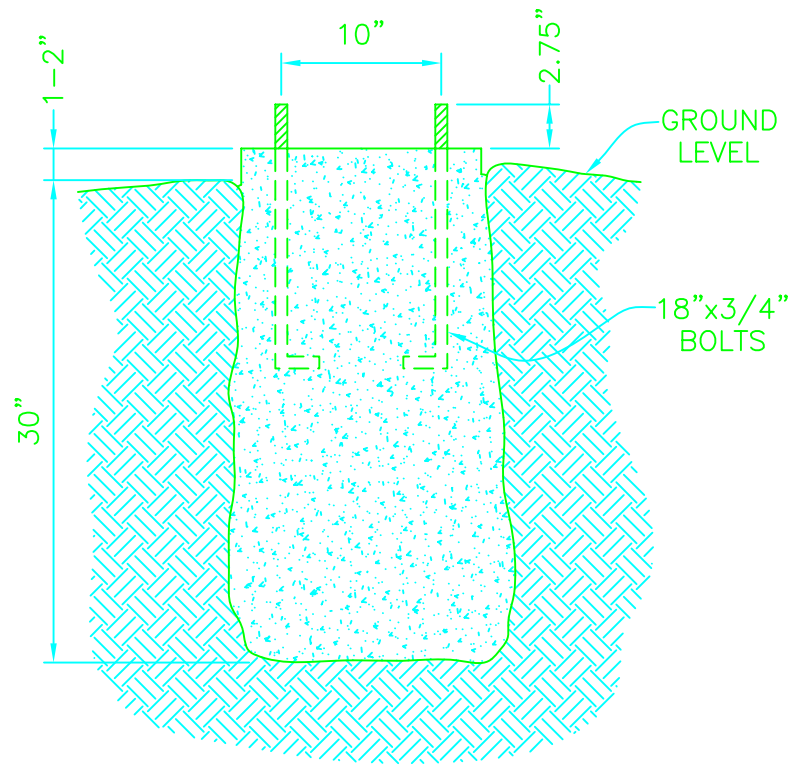
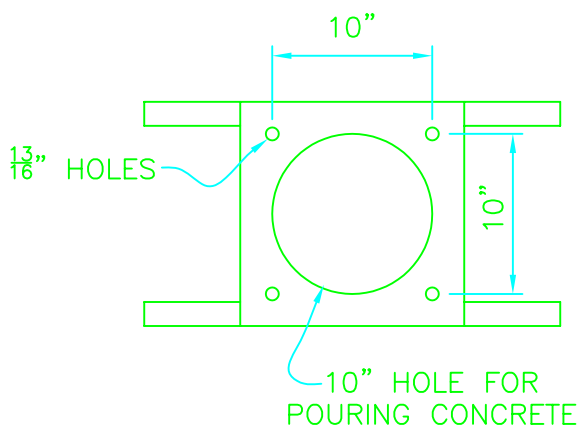


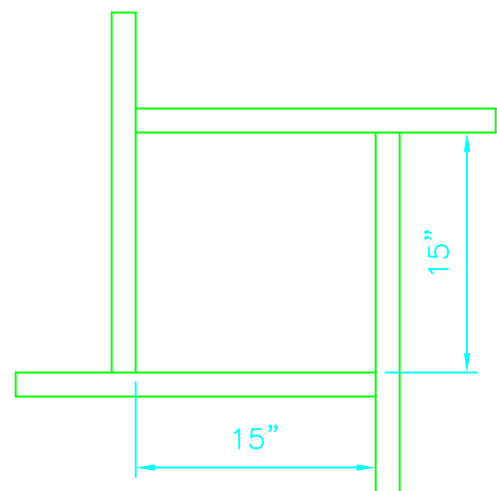
COMPLETED CONCRETE PEDESTAL



TEMPLATE FOR 18" X 3/4" BOLTS



CONCRETE FORM FOR PEDESTAL TOP



CONCRETE PEDESTAL FOR MOUNTING STANDARD 14" SQUARE SIGNAL BASE