



# Klaxon® Motor Driven Horn

*Weatherproof*

## A1 Series



The A1 series is a signal that sounds the easily recognized and unique Klaxon audible tone. The sound is produced by the revolution of a serrated rotor against a hardened steel stud riveted to the center of a diaphragm.

The A1 is designed for bracket mounting using the supplied bracket. The signal is supplied with wire leads for connection in an appropriate electrical box.

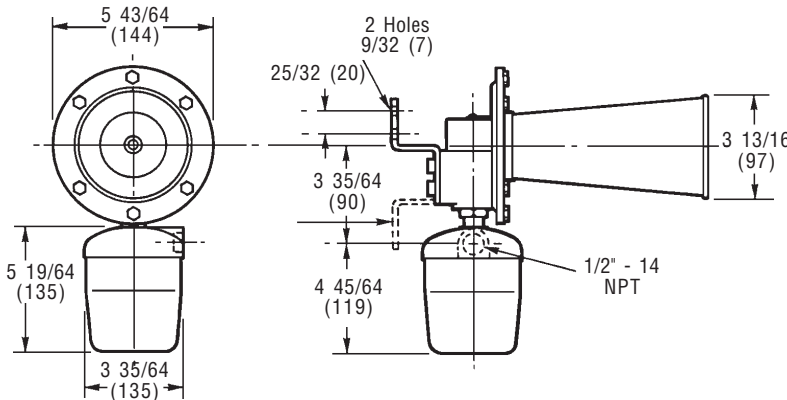
Designed for use in industrial areas or high noise, severe weather environments such as marinas or shipyards.

**FEATURES**

- > Completely assembled
- > Rugged, heavy-duty design
- > Complete with mounting bracket
- > Automatic resettable overload protection

**SPECIFICATIONS**

- > 110dB at 10 ft (3.05m)
- > Frequency - 470 Hz
- > Rated for intermittent use - 2 minutes on, 5 minutes off



Cat. No.	Volts	Current
A1-G1	24V DC	2.3A
A1-G5	24V AC 50/60 Hz	4.0A
A1-N5	120V AC 50/60 Hz	0.84A
A1-S1	250V DC	0.35A