



## AdaptaBeacon® Light Duty Strobe

**NEMA Type 4X**

**96B & 98B Series**

### FEATURES

- > Weatherproof
- > Snap-on high impact plastic base
- > Optically designed fresnel lens
- > Immune to shock and vibration

### AGENCY APPROVALS

- > UL 1638 Listed
- > UL Listed NEMA Type 4X enclosure
- > AC models cUL Listed

The Edwards 96B Series AdaptaBeacon Light Duty strobe lights are low profile units that are designed for light duty applications in industrial, commercial, and institutional applications where short term intermittent visual signaling is required. A series of complementing fresnels cause the dome to "fill" with light each time the strobe flashes. This design feature increases the AdaptaBeacon "on-time", thus improving viewer perception. Beam distance is increased with external fresnel lenses.

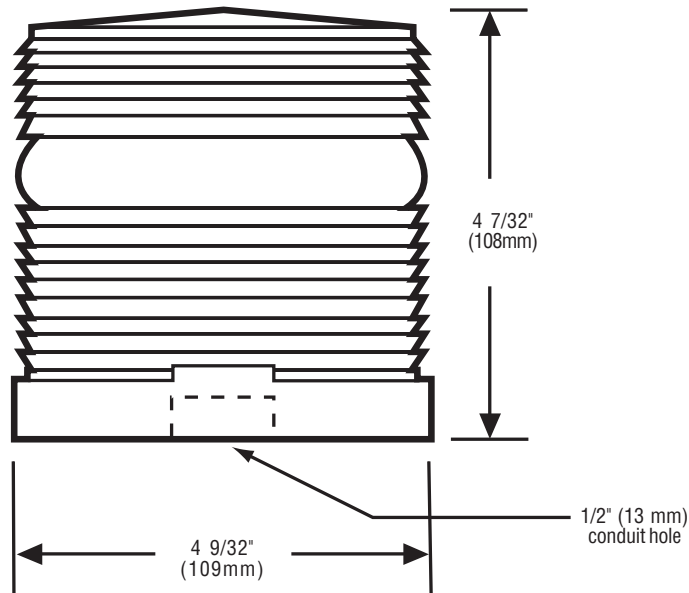
The 96B Series' trigger and timing circuits are included as integral parts of the power supply. Replacement costs are reduced as it is necessary to replace only the strobe tube.

Designed for indoor or outdoor installation. May be direct or 1/2" (13mm) conduit mounted on any plane. However, vertical installation ensures maximum beam width projection. For weatherproof installations units must be mounted vertically with dome up. May be corner mounted using the Cat. No. CBR, corner mount bracket, or wall mounted using the Cat. No. WBR, wall mount bracket. See AdaptaBeacon Accessories, page 3-118.

The 96B Series strobe is usually used where a smaller output is desired or where multiple, smaller strobes are required. They are ideally suited for installations where high ambient light levels make traditional rotating or flashing lights difficult to distinguish or where ambient noise levels make audible signals difficult to hear. The gasketed weatherproof design assures installation acceptability in most industrial and commercial locations.



## TECHNICAL INFORMATION



Cat. No.	Lens Color	Replacement Lens	Electrical Rating	Flash Rate	Replacement Strobe Tube	Peak Candlepower
96BR-N5	Red	96-LR	120V 50/60 Hz 0.10 Amp	65 FPM	91B-ST	300,000 cd
96BA-N5	Amber	96-LA			3,000 hours*	
96BB-N5	Blue	96-LB				
96BG-N5	Green	96-LG				
96BM-N5	Magenta	96-LM				
96BC-N5	Clear	96-LC				
96BR-R5	Red	96-LR	240V 50/60 Hz 0.02 Amp	65 FPM	91B-ST	300,000 cd
96BA-R5	Amber	96-LA			3,000 hours*	
96BB-R5	Blue	96-LB				
96BG-R5	Green	96-LG				
96BM-R5	Magenta	96-LM				
96BC-R5	Clear	96-LC				
98BR-E1	Red	96-LR	12V DC 0.5 Amp	65 FPM	91B-ST	300,000 cd
98BA-E1	Amber	96-LA			3,000 hour*	
98BB-E1	Blue	96-LB				
98BG-E1	Green	96-LG				
98BM-E1	Magenta	96-LM				
98BC-E1	Clear	96-LC				
98BR-G1	Red	96-LR	24V DC 0.3 Amp	65 FPM	91B-ST	300,000 cd
98BA-G1	Amber	96-LA			3,000 hour*	
98BB-G1	Blue	96-LB				
98BG-G1	Green	96-LG				
98BM-G1	Magenta	96-LM				
98BC-G1	Clear	96-LC				
98BR-FY	Red	96-LR	36V DC 0.3 Amp	65 FPM	91B-ST	300,000 cd
98BA-FY	Amber	96-LA			3,000 hour*	
98BB-FY	Blue	96-LB				
98BG-FY	Green	96-LG				
98BM-FY	Magenta	96-LM				
98BC-FY	Clear	96-LC				