



## Adaptatone® Millennium Remote Speaker/Amp

***30 Watt, High Volume System Speaker, RS485 Activation***

**5532MHV Series**

### FEATURES

- > Output up to 113 dB at 10 ft
- > Corrosion resistant electrostatic heat flowed epoxy finish
- > Individual volume control
- > Suitable for Division 2 Locations
- > Captive Components
- > RS485 models available

### AGENCY APPROVALS

- > NEMA Type 3R
- > IP 44
- > UL 464 and 1604 Listed
- > cUL 22.2 No. 205
- > UL & cUL Listed for indoor and outdoor applications for use in Class I, Division 2, Groups A, B, C & D; Class II, Division 2, Groups F & G; and Class III Hazardous Locations
- > TUV Rheinland Certified
- > CE Marked, LV & EMC Directives (Y6 AC only and AQ models)

### SPECIFICATIONS

- > 24V DC battery backup terminals provided
- > Speaker can be rotated and locked in any horizontal direction

The Edwards 5532MHV Adaptatone Millennium Remote Speaker/ Amplifier has been designed for high decibel system operation when connected to the 5540M Central Tone Generator or 5541M System Master Panel. See Adaptatone Tone Generator, page 4-28.

Each Speaker/Amplifier operates directly from local power sources, making it possible in a single system to connect the remote Speaker/Amplifiers to local power sources of different voltages. Designed for either 1/2" (13mm) conduit or surface mounting.

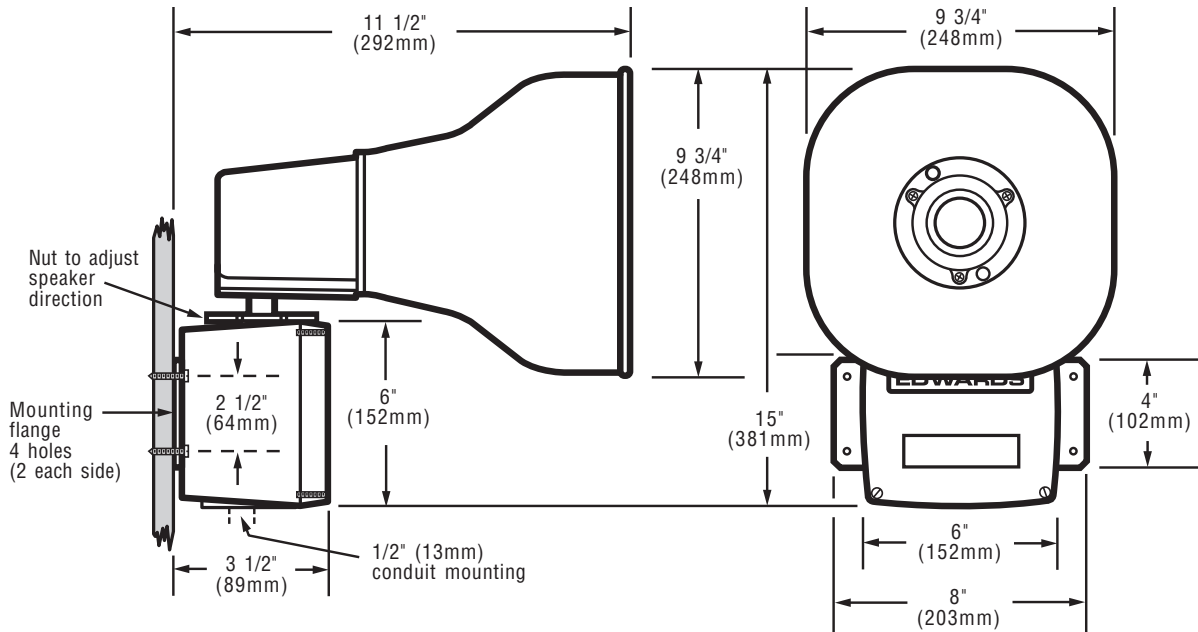
The 5532MHV-485Y6 is designed to be connected to RS485 networks, allowing full signaling communication control.

Adaptatone Signaling Systems are designed for industrial applications calling for high decibel output and microprocessor reliability combined with simultaneous signal delivery over all speakers included in the system. Typical applications include: emergency warning systems, plant evacuation alarms, security intrusion sirens, process monitoring, shift start-and-dismissal horns, and paging signals.

RS485 units are MEDI compatible. See page 4-10.



## TECHNICAL INFORMATION



Cat. No.	Operating Voltage	Signal Off Standby Current (Amps)	Signal On Operating Current (Amps)
5532MHV-AQ	24V DC	0.10	1.22
	24V AC 50/60 Hz	0.10	2.21
5532MHV-Y6	120V AC 50/60 Hz	0.10	0.48
	240V AC 50/60 Hz	0.10	0.28
	125V DC	0.10	0.32
	250V DC	0.10	0.15
5532MHV-485Y6	120V AC 50/60 Hz	0.10	0.48
	240V AC 50/60 Hz	0.10	0.28
	125V DC	0.10	0.32
	250V DC	0.10	0.15