



AdaptaBeacon® Rotating Lights

*Diode Polarized for
Supervised Circuits*

53D Series

FEATURES

- > Weatherproof
- > Light intensifying reflector
- > Rotation of 75 revolutions per minute
- > Bayonet lamp socket for easy replacement
- > Cast base can be utilized as junction box

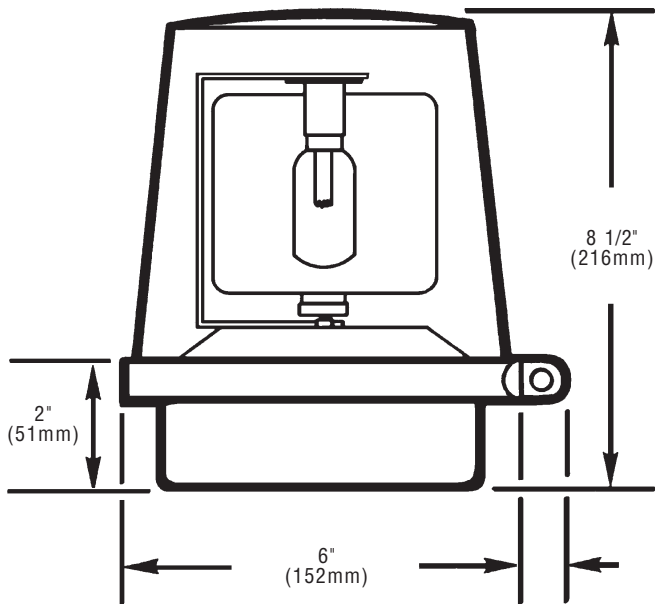
Diode polarized rotating signal designed to provide maximum brilliance and long term durability with minimum maintenance. The polycarbonate dome allows for easy cleaning.

For direct mounting applications, unit is supplied complete with gasket and rubber expansion plugs. For weatherproof installation unit must be mounted vertically with the dome facing up. May be corner mounted using the Cat. No. CBR, corner mount bracket, or wall mounted using the Cat. No. WBR, wall mount bracket. See AdaptaBeacon Accessories, page 3-118.

Designed to attract attention or indicate equipment malfunctions in noisy areas. Used in security or other systems requiring the use of a diode polarized signal to visually show indication of an intrusion or equipment condition. Also used to alert worker of oncoming fork truck traffic in factory and distribution facilities.



TECHNICAL INFORMATION



Cat. No.	Lens Color	Replacement Lens Cat. No.	Lamp Ratings	Revolution Rate	Electrical Ratings	Replacement Lamp Cat. No.
53DR-GW	Red	52-LR	25 Watts	75 rpm	24 to 28V DC	Industry Trade
53DC-GW	Clear	52-LC	402 lumens* 5049 candlepower 500 hours**		1.0 Amp	No. 1638

*Manufacturer's lumen rating.

**Projected lamp life based on manufacturer's calculated lamp life @ 65 FPM and 50% duty cycle.