



AdaptaBeacon® Steady-on Lights

PLC Compatible

50SIN Series

FEATURES

- > Weatherproof
- > 40 Watt Halogen Lamp
- > Optically designed fresnel lens
- > Cast base can be utilized as junction box

AGENCY APPROVALS

- > UL 1638 Listed
- > cUL Listed

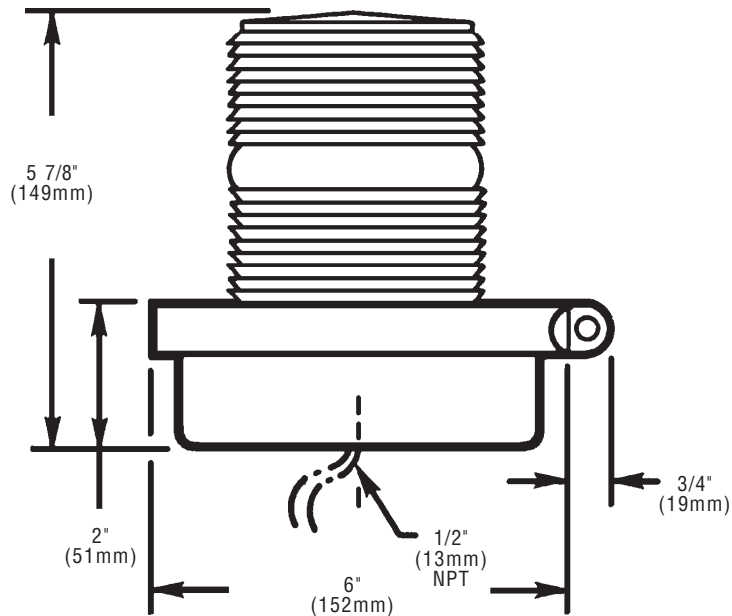
The Edwards 50SIN Series AdaptaBeacon steady-on lights are designed to meet continuous visual signaling requirements. The unique double fresnel lens is optically engineered to maximize brilliance. This is accomplished with a series of complementing fresnels that cause the dome to “fill” when the light is operating. Beam distance is also increased with fresnel lenses. The polycarbonate lenses are available in six colors: red, amber, blue and green, magenta and clear.

Designed for indoor or outdoor installation. May be direct, 1/2" (13mm) conduit, or box mounted on a 4" (102mm) octagon box on any plane. However, vertical installation ensures maximum beam width projection. For weatherproof installations units must be mounted vertically with dome up. May be corner mounted using the Cat. No. CBR, corner mount bracket, or wall mounted using the Cat. No. WBR, wall mount bracket. Cat. No. 92-GRD lens guard is available for additional protection against lens breakage. See AdaptaBeacon Accessories on page 3-118.

Ideally suited for light duty applications where a continuous steady-on incandescent light signal is required or where ambient noise makes audible signals difficult to hear. The gasketed weatherproof design assures installation acceptability in most industrial and commercial locations.



TECHNICAL INFORMATION



Cat. No.	Lens Color	Replacement Lens	Lamp Ratings	Electrical Ratings	Replacement Lamp
50SINR-N5-40WH	Red	92-LR	40 Watts	120V 50/60 Hz	50LMP-40WH
50SINA-N5-40WH	Amber	92-LA	265 lumens*	0.29 Amps	
50SINB-N5-40WH	Blue	92-LB	3328 candlepower		
50SING-N5-40WH	Green	92-LG	20,000 hours**		
50SINM-N5-40WH	Magenta	92-LM			
50SINC-N5-40WH	Clear	92-LC			

*Manufacturer's lumen rating.

**Projected lamp life based on manufacturer's calculated lamp life @ 65 FPM and 50% duty cycle.

SIGNAL INPUT LOAD CHARACTERISTICS*

Cat. No.	Operating Voltage	Max. off state leakage current (mA)	Continuous on Current (mA)	Surge (inrush/duration) Amps/milliseconds
50SIN(-)-N5-40WH	120V AC 60 Hz	25	290	0.47/8

*This device is PLC compatible and may be operated by PLCs with output characteristics that match the input load requirements of this signal.