



## AdaptaBeacon® Explosionproof Strobes

*Diode Polarized  
Marine Rated*

### 116DEXSTM-FJ Series

#### FEATURES

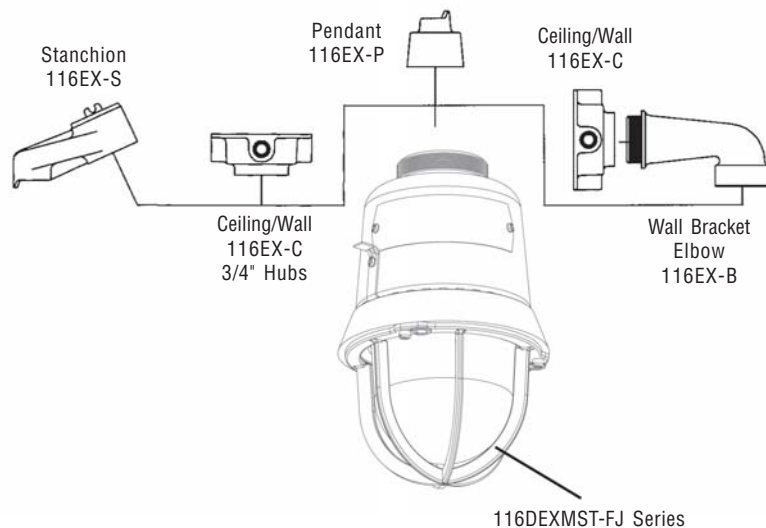
- > Bracket, ceiling, pendant or stanchion mount
- > Diode polarized for use in electronically supervised circuits
- > High impact glass dome, dome guard included
- > 65 flashes per minute
- > Factory sealed - no external seals required
- > Quick connect - threads onto mounting module for easy installation
- > Shock absorbing receptacle
- > Easy to assemble & relamp
- > Silicone gaskets seal out dirt & moisture
- > Epoxy powder coat for corrosion resistance

Edwards Explosionproof AdaptaBeacon Strobe Lights are designed for installation in hazardous location environments. Rigid specifications and state-of-the-art technology provide for high visual output and low maintenance. Powder coat epoxy finished gray.

Each explosionproof strobe is UL Listed for Type 3R and Type 4X installations. The unit's are marine rated, and contain a supervisory diode and four wire leads. Models are available for pendant, wall, ceiling and stanchion mounting.

The Edwards 106DEXSTM-FJ Hazardous Location Supervised AdaptaBeacon Strobe Light is designed for use in applications requiring electrical supervision of signaling circuit field wiring.

#### FAMILY TREE

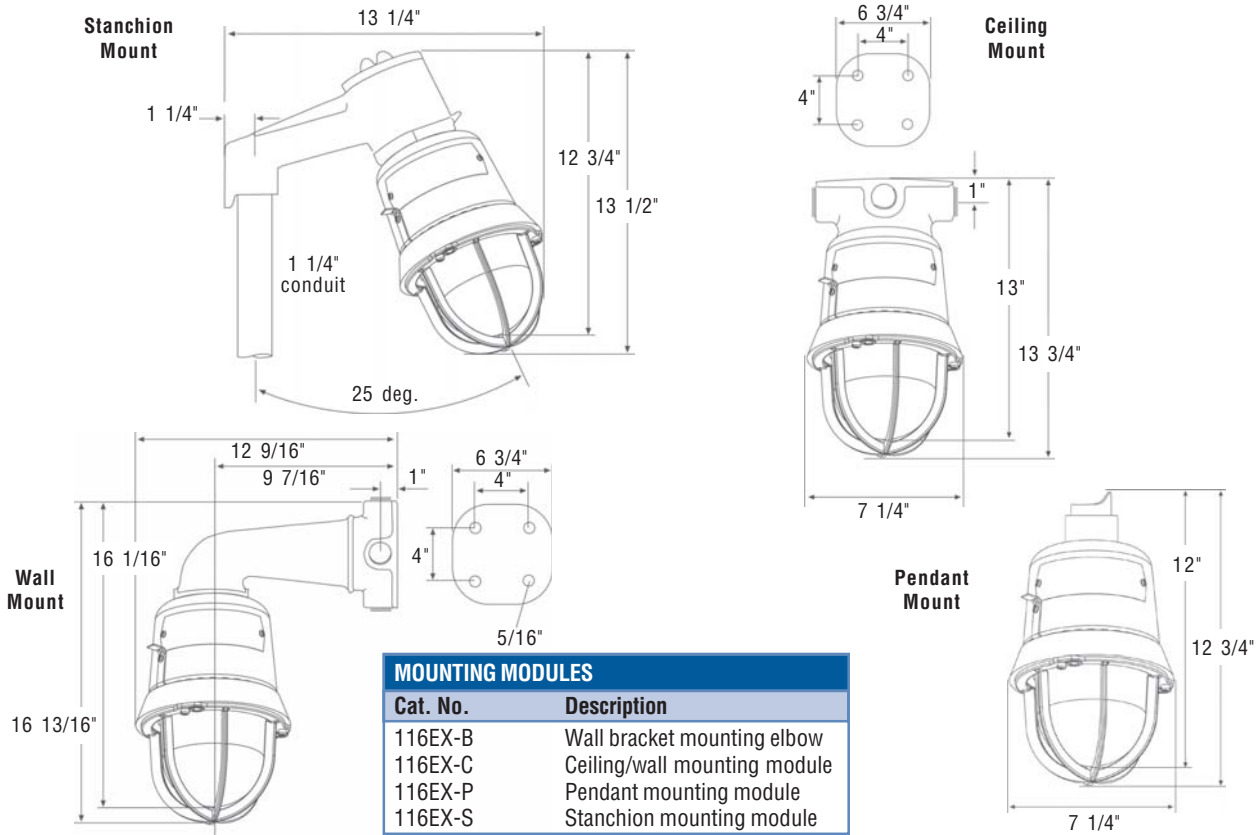


#### AGENCY APPROVALS

- > UL 1638 & 1203 Listed
- > cUL Listed C22.2 No. 205
- > Marine UL Listed Cat. UXUB
- > Marine UL 1598A Listed
- > NEMA Type 3R & Type 4X Rated
- > UL Listed Class I, Div. 1 & 2



## TECHNICAL INFORMATION



| Cat. No.      | Lens Color | Electrical Rating | Replacement Dome | Replacement Inner Lens | Optional Dome Guard | Replacement Strobe Tube | Peak Candlepower |
|---------------|------------|-------------------|------------------|------------------------|---------------------|-------------------------|------------------|
| 116DEXSTMR-FJ | Red        | 16 - 33V DC       | 116-Globe        | 116-ST-LR              | 116-GRD             | 92-ST                   | 800,000          |
| 116DEXSTMA-FJ | Amber      | 0.774 Amps**      |                  | 116-ST-LA              |                     | 3,000 hr*               |                  |
| 116DEXSTMB-FJ | Blue       |                   |                  | 116-ST-LB              |                     |                         |                  |
| 116DEXSTMG-FJ | Green      |                   |                  | 116-ST-LG              |                     |                         |                  |
| 116DEXSTMM-FJ | Magenta    |                   |                  | 116-ST-LM              |                     |                         |                  |
| 116DEXSTMC-FJ | Clear      |                   |                  |                        |                     |                         |                  |

\*Calculated at operating power to 75% efficiency.

\*\*Replacement Circuit 116EXMST-FJ-SA

## HAZARDOUS LOCATION LISTINGS

| Ambient Temp. | Supply Wire Temp. Marking | Operating Temperature       |                                 |                                       |                                   |
|---------------|---------------------------|-----------------------------|---------------------------------|---------------------------------------|-----------------------------------|
|               |                           | Class I, Div. 2 Groups A, B | Class I, Div. 1 & 2 Groups C, D | Class II & III, Div. 1 Groups E, F, G | Class II & III, Div. 2 Group F, G |
| 40°C          | 75°C                      | T2D (215°C)                 | T6 (85°C)                       | T4A (120°C)                           | T4A (120°C)                       |
| 55°C          | 90°C                      | T2C (230°C)                 | T6 (85°C)                       | T4 (135°C)                            | T4 (135°C)                        |