



AdaptaBeacon® Explosionproof Strobe

**Diode Polarized, NEMA Type
3R & 4X, UL 1971 Listed**

116DEXSTC-FJ Series

FEATURES

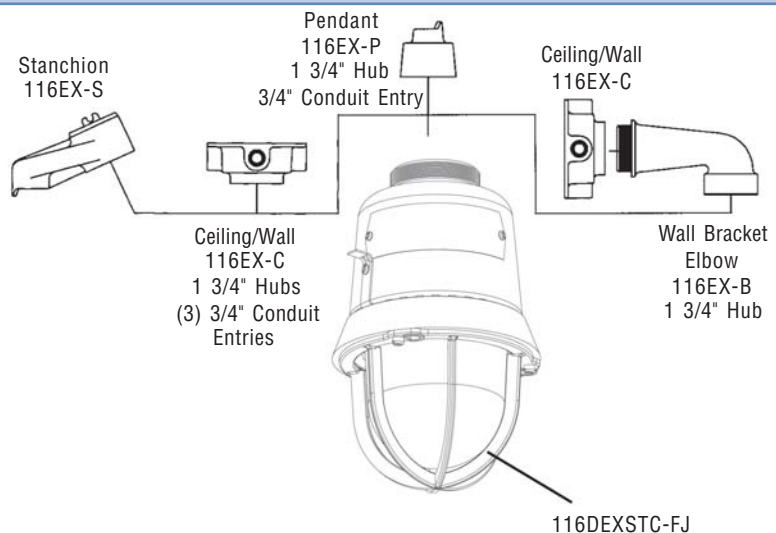
- > Bracket, ceiling, pendant or stanchion mount
- > Diode polarized for use in electronically supervised circuits
- > High impact glass dome
- > 65 flashes per minute
- > For use in fire alarm systems
- > Factory sealed - no external seals required
- > Quick connect - threads onto mounting module for easy installation
- > Shock absorbing receptacle
- > Easy to assemble & relamp
- > Gaskets seal out dirt & moisture
- > Epoxy powder coat for corrosion resistance

Edwards Explosionproof AdaptaBeacon Strobe Lights are designed for installation in hazardous location environments. Rigid specifications and state-of-the-art technology provide for high visual output and low maintenance. Powder coat epoxy finished gray.

Each explosionproof strobe is UL Listed for Type 3R and Type 4X installations. The units contain a supervisory diode and four wire leads, for use in fire alarm applications. This strobe, when pendant, wall or ceiling mounted, is also UL 1971 Listed (ADA) for indoor visual signaling applications for the hearing impaired in non-sleeping areas. Stanchion mounted models are UL 1638 Listed for Private Mode Emergency Signaling.

The Edwards 116DEXSTC-FJ Hazardous Location Supervised AdaptaBeacon Strobe Light is designed for use in compatible fire alarm systems and other applications requiring electrical supervision of signaling circuit field wiring.

FAMILY TREE



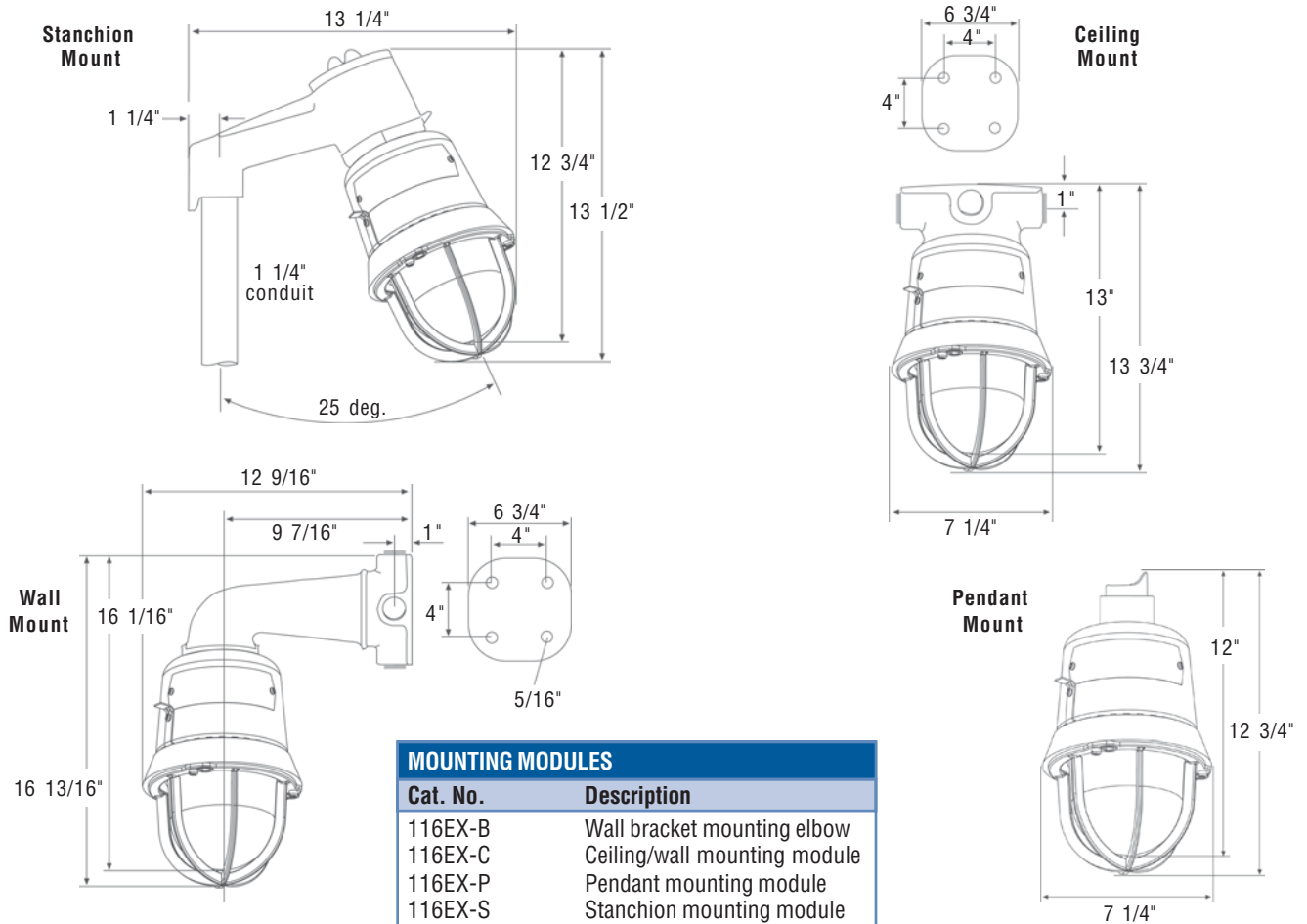
AGENCY APPROVALS

- > UL 1971 Listed for indoor visual signaling for the hearing impaired in non-sleeping areas
- > NEMA Type 3R & Type 4X Rated
- > Rated at 60 candela (wall) and 60 candela (ceiling) per UL 1971
- > UL Listed Class I, Div. 1 & 2

D-04A



TECHNICAL INFORMATION



MOUNTING MODULES

Cat. No.	Description
116EX-B	Wall bracket mounting elbow
116EX-C	Ceiling/wall mounting module
116EX-P	Pendant mounting module
116EX-S	Stanchion mounting module

Cat. No.	Lens Color	Electrical Rating	Replacement Dome	Optional Dome Guard	Replacement Strobe Tube	Peak Candlepower
116DEXSTC-FJ	Clear	24V DC FWR 0.774 Amp (Max DC) 1.14 Amp (Max FWR)**	116-Globe	116-GRD	92-ST 3,000 hr*	800,000

*Calculated at operating power to 75% efficiency.

**Replacement Circuit 116EXSTC-FJ-SA

HAZARDOUS LOCATION LISTINGS

Ambient Temp.	Supply Wire Temp. Marking	Operating Temperature			
		Class I, Div. 2 Groups A, B	Class I, Div. 1 & 2 Groups C, D	Class II & III, Div. 1 Groups E, F, G	Class II & III, Div. 2 Group F, G
40°C	75°C	T2D (215°C)	T6 (85°C)	T4A (120°C)	T4A (120°C)
55°C	90°C	T2C (230°C)	T6 (85°C)	T4 (135°C)	T4 (135°C)