



Compaxx™ Series Strobes

*PLC Compatible
Type 4X*

114(†)ST Series

FEATURES

- > NEMA Type 4X Enclosure
- > Two Mounting Configurations - Surface and Conduit
- > 175,000 peak candela
- > 12 inch (305mm) wire leads
- > Black Impact Resistant Polycarbonate ABS Blend Base
- > Five Lens Colors
- > Available in Quantity Packaging (6)

AGENCY APPROVALS

- > UL 1638 Listed
- > cUL Listed
- > UL Listed NEMA Type 4X

SPECIFICATIONS

- > Replaceable Linear Strobe Tube Powered at 1.75 Joules
- > 12 to 48 VDC Operation

The Edwards 114 Series Strobes are designed for applications in industrial, commercial, and institutional applications where reliable and distinctive visual indication is required. The 114 Series is ideal for process control as well as vehicular applications such as tow motors. The strobe units provide a bright visual indication by utilizing a linear strobe tube inside a shatter resistant polycarbonate fresnel lens.

Suitable for indoor or outdoor installation. When mounted outdoors the unit should be mounted with the lens facing up. Two mounting configurations are available:

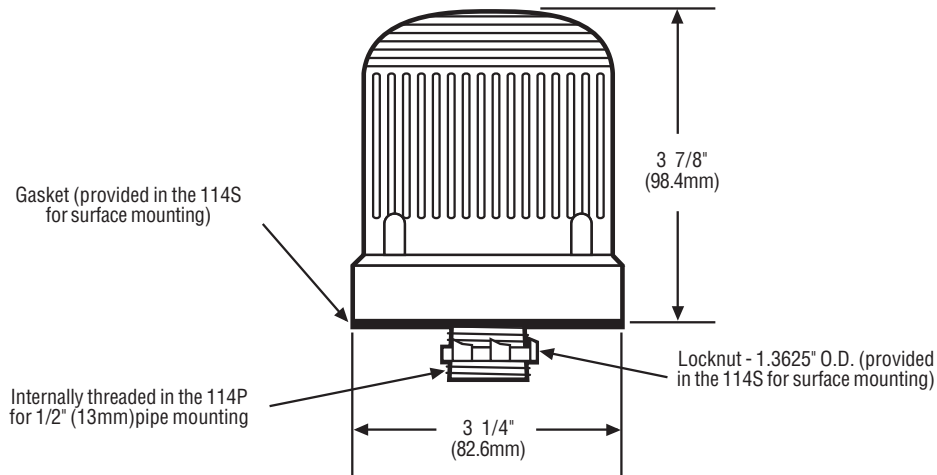
- ~ The 114S, a surface mount version that utilizes a mounting gasket and locknut to provide a secure surface attachment and seal
- ~ The 114P, a pipe mount version for mounting on 1/2" (13mm) NPT conduit.

Edwards strobe lights are particularly effective in high noise areas where ear protection must be worn and audible signals may not be heard or understood. They can advise personnel in manufacturing, process control and warehouse areas when an operation is starting or stopping or a vehicle is moving. They are also often used to signal equipment malfunction and to warn personnel that they are entering restricted areas.

† Insert "S" for surface mount, "P" for pipe mount



TECHNICAL INFORMATION



Cat. No.	Lens Color	Replacement Lens Cat. No.	Strobe Tube	Peak Candlepower	Electrical Ratings	Mounting
114SSTA-EK**	Amber	104-LA	114-ST	175,000	24V DC	Surface
114SSTB-EK**	Blue	104-LB	1,500 hr*		0.350 Amps	Surface
114SSTC-EK**	Clear	104-LC				Surface
114SSTG-EK**	Green	104-LG				Surface
114SSTR-EK**	Red	104-LR				Surface
114PSTA-EK**	Amber	104-LA	114-ST	175,000	24V DC	1/2" NPT Pipe
114PSTB-EK**	Blue	104-LB	1,500 hr*		0.350 Amps	1/2" NPT Pipe
114PSTC-EK**	Clear	104-LC				1/2" NPT Pipe
114PSTG-EK**	Green	104-LG				1/2" NPT Pipe
114PSTR-EK**	Red	104-LR				1/2" NPT Pipe

*Calculated strobe tube life at operating power to 75% efficiency.

** For package quantities of 6 strobes add "-6" to the catalog number. e.g. 114SSTA-EK-6

SIGNAL INPUT LOAD CHARACTERISTICS***

Cat. No.	Operating Voltage	Max. off state leakage current (mA)	Continuous on Current (mA)	Surge (inrush/duration) Amps/milliseconds
114 Series	24V DC	7	350	.45/.02

***This device is PLC compatible and may be operated by PLCs with output characteristics that match the input load requirements of this signal.