



Compaxx™ Series Steady-on Lights

*PLC Compatible
Type 4X*

114(†)SIN Series

FEATURES

- > NEMA Type 4X Enclosure
- > Two Mounting Configurations - Surface and Conduit
- > 12 inch (305mm) wire leads
- > Black Impact Resistant Polycarbonate ABS Blend Base
- > Five Lens Colors
- > Available in Quantity Packaging (6)

AGENCY APPROVALS

- > UL 1638 Listed
- > cUL Listed
- > UL Listed NEMA Type 4X

SPECIFICATIONS

- > 24V DC or 120V AC Operation

The Edwards 114 Series Steady-on incandescent lights are designed for applications in industrial, commercial, and institutional applications where reliable and distinctive visual indication is required. The 114 Series is ideal for process control as well as vehicular applications such as tow motors.

Suitable for indoor or outdoor installation. When mounted outdoors the unit should be mounted with the lens facing up. Two mounting configurations are available:

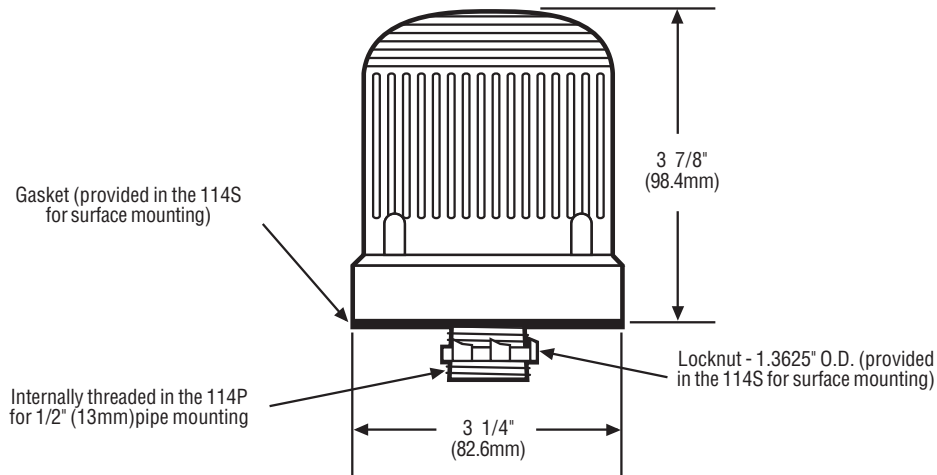
- ~ The 114S, a surface mount version that utilizes a mounting gasket and locknut to provide a secure surface attachment and seal
- ~ The 114P, a pipe mount version for mounting on 1/2" (13mm) NPT conduit.

Edwards steady-on lights are effective in high noise areas where ear protection must be worn and audible signals may not be heard or understood. They can advise personnel in manufacturing, process control and warehouse areas when an operation is starting or stopping or a vehicle is moving. They are also often used to signal equipment malfunction and to warn personnel that they are entering restricted areas.

† Insert "S" for surface mount, "P" for pipe mount



TECHNICAL INFORMATION



Cat. No.	Lens Color	Replacement Lens Cat. No.	Replacement Bulb	Bulb Wattage	Electrical Ratings	Mounting
114SSINA-G1*	Amber	104-LA	Industry Std.	15W	24V DC	Surface
114SSINB-G1*	Blue	104-LB	1692		0.61 Amps	Surface
114SSINC-G1*	Clear	104-LC				Surface
114SSING-G1*	Green	104-LG				Surface
114SSINR-G1*	Red	104-LR				Surface
114PSINA-G1*	Amber	104-LA	Industry Std.	15W	24V DC	1/2" NPT Pipe
114PSINB-G1*	Blue	104-LB	1692		0.61 Amps	1/2" NPT Pipe
114PSINC-G1*	Clear	104-LC				1/2" NPT Pipe
114PSING-G1*	Green	104-LG				1/2" NPT Pipe
114PSINR-G1*	Red	104-LR				1/2" NPT Pipe
114SSINA-N5*	Amber	104-LA	Industry Std.	15W	120V AC	Surface
114SSINB-N5*	Blue	104-LB	15T7DC		0.150 Amps	Surface
114SSINC-N5*	Clear	104-LC				Surface
114SSING-N5*	Green	104-LG				Surface
114SSINR-N5*	Red	104-LR				Surface
114PSINA-N5*	Amber	104-LA	Industry Std.	15W	120V AC	1/2" NPT Pipe
114PSINB-N5*	Blue	104-LB	15T7DC		0.150 Amps	1/2" NPT Pipe
114PSINC-N5*	Clear	104-LC				1/2" NPT Pipe
114PSING-N5*	Green	104-LG				1/2" NPT Pipe
114PSINR-N5*	Red	104-LR				1/2" NPT Pipe

* For package quantities of 6 strobes add *-6" to the catalog number. e.g. 114PSINB-N5-6

SIGNAL INPUT LOAD CHARACTERISTICS**

Cat. No.	Operating Voltage	Max. off state leakage current (mA)	Continuous on Current (mA)	Surge (inrush)
114()-G1 Series	24V DC	25	25	7A Exponentially decaying
114()-N5 Series	120V AC	25	25	0.8A Exponentially decaying

**This device is PLC compatible and may be operated by PLCs with output characteristics that match the input load requirements of this signal.