



VISUAL SIGNALS



AdaptaBeacon® Steady-on Incandescent & Fluorescent Lights

Vaporproof

111 Series

FEATURES

- > Pendant, ceiling or bracket mount
- > Screw on glass globe in five colors
- > Housing available in either black or silver gray
- > Die Cast Aluminum Construction

AGENCY APPROVALS

- > UL 1571 Listed

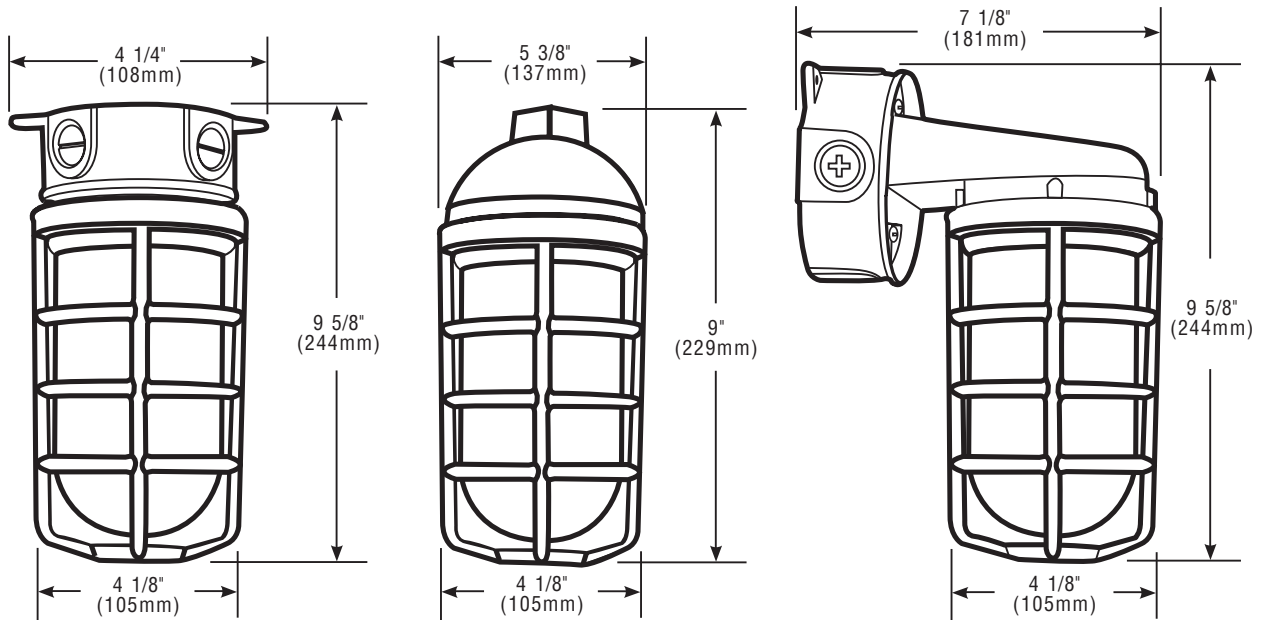
The Edwards 111 Series beacons are vaporproof fixtures designed for non-hazardous locations where the lamp, socket and wiring require protection from rain, corrosive fumes, non-combustible dusts, moisture, non-explosive vapors and gases. The steady fluorescent units utilize a 13 watt bulb (not included). The incandescent units utilize either a 100 watt or 150 watt bulb (not included).

Suitable for wet locations. Mount dome down for outdoor applications.

The visual signals are available with a choice of five different globe colors: red, amber, blue, green or clear. The housing is available in either black or silver gray and all units are supplied with an 8 gauge wire guard. Three mounting options are available: ceiling, wall and pendant.



TECHNICAL INFORMATION



Cat. No.	Description	Housing Color	Replacement Globe	Electrical Rating	Max. Wattage
111SIN*-B 111SIN*	Pendant Mount, with globe and guard	Black Gray	111GL-*	120V 50/60 Hz 0.8 A (100 watt bulb) 1.25 A (150 watt bulb)	150
111SFL*-B 111SFL*	Pendant Mount, with globe and guard 13W Clear Fluorescent Bulb (CFL Type, not included)	Black Gray	111GL-*	120V 50/60 Hz 0.36 A	13
111SIN*-CM-B 111SIN*-CM	Ceiling Mount with Surface Box, with globe and guard	Black Gray	111GL-*	120V 50/60 Hz 0.8 A (100 watt bulb) 1.25 A (150 watt bulb)	150
111SFL*-CM-B 111SFL*-CM	Ceiling Mount with Surface Box, with globe and guard 13W Clear Fluorescent Bulb (CFL Type, not included)	Black Gray	111GL-*	120V 50/60 Hz 0.36 A	13
111SIN*-WM-B 111SIN*-WM	Bracket Mount, with globe and guard	Black Gray	111GL-*	120V 50/60 Hz 0.8 A (100 watt bulb) 1.25 A (150 watt bulb)	150
111SFL*-WM-B 111SFL*-WM	Bracket Mount, with globe and guard 13W Clear Fluorescent Bulb (CFL Type, not included)	Black Gray	111GL-*	120V 50/60 Hz 0.36 A	13

*Letter in this position signifies globe color: R - red, A - amber, B - blue, G - green, C - clear