



## AdaptaBeacon® Division 2 Rotating Lights

*Marine Rated*

### 107DV2(†)RINH Series

#### FEATURES

- > Bracket, Ceiling or Pendant Mount
- > High impact glass dome
- > Dome guard (optional)
- > 75 rotations per minute

#### AGENCY APPROVALS

- > UL 1638 and 1604 Listed
- > cUL Listed C22.2 No. 205
- > NEMA Type 3R & Type 4 Rated
- > Marine UL 595 Listed Category UXUB
- > Marine UL 1598A Listed
- > UL Listed Class I, Div. 2

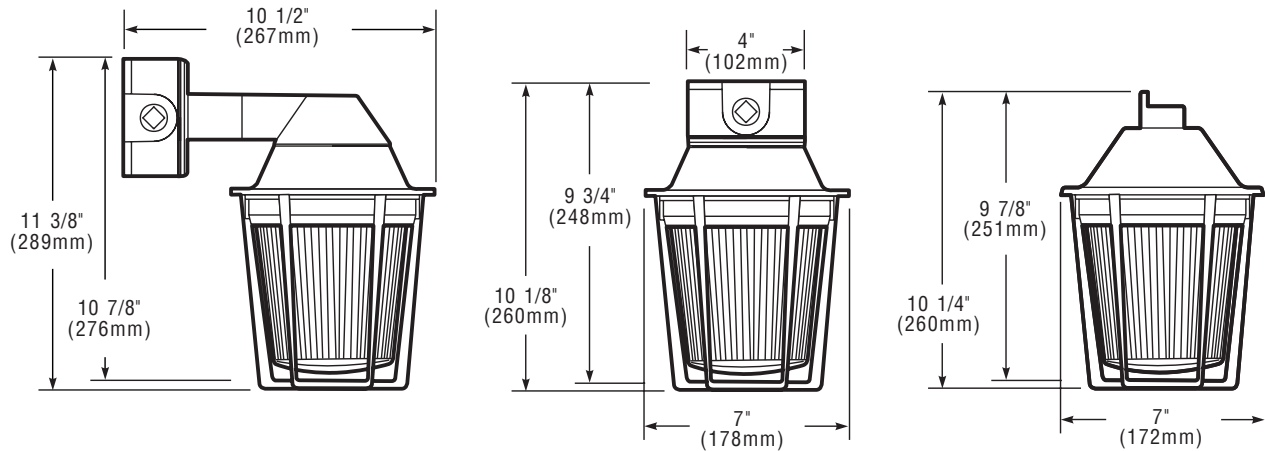
Edwards AdaptaBeacon Rotating Lights are designed for installation in Division 2 environments. Rigid specifications and state-of-the-art technology provide for high visual output and low maintenance.

The units are UL Listed for Type 3R, Type 4 and marine installations. Models are available for pendant, wall and ceiling mounting. May be mounted with the dome facing up or down.

Typical industrial and commercial applications include: food processing plants, refineries, mines, tankers, laboratories, sewage treatment plants, water and filtration plants, and chemical plants.



## TECHNICAL INFORMATION



Cat. No.	Mounting	Electrical Rating	Replacement Dome	Optional Dome Guard	Replacement Lamp	Peak Candlepower
107DV2BRINH*-N5	Bracket	120V 50/60 Hz 0.35 Amp	***	EDVPGU1	50LMP-40WH 25,000 hr.**	3328
107DV2BRIN*-R5		240V 50/60 Hz 0.1 Amp	***	EDVPGU1	P-041917-0039 or Ind. Trade No. 25T8/240V/DC/CL 120 hr.**	2914
107DV2CRINH*-N5	Bracket	120V 50/60 Hz 0.35 Amp	***	EDVPGU1	50LMP-40WH 25,000 hr.**	3328
107DV2CRIN*-R5		240V 50/60 Hz 0.1 Amp	***	EDVPGU1	P-041917-0039 or Ind. Trade No. 25T8/240V/DC/CL 120 hr.**	2914
107DV2PRINHC-N5 (clear lens only)	Pendant	120V 50/60 Hz 0.35 Amp	EDVPGL1HR	EDVPGU1	50LMP-40WH 25,000 hr.**	3328
107DV2PRINC-R5 (clear lens only)		240V 50/60 Hz 0.1 Amp	EDVPGL1HR	EDVPGU1	P-041917-0039 or Ind. Trade No. 25T8/240V/DC/CL 120 hr.**	2914

\*Letter in this position indicates lens color: R - red, A - amber, B - blue, G - green, M - magenta or C - clear

\*\*Projected life based on manufacturer's calculated lamp life.

\*\*\* A - EDVPGL1AM, B - EDVPGL1BL, G - EDVPGL1GR, C - EDVPGL1HR, R - EDVPGL1RE

## HAZARDOUS LOCATION LISTINGS

Class	Division	Group	Ambient Temperature	Operating Temperature Code
I	2	A,B,C,D	104F (40C) 131F (55C) 149F (65C)	460C, 860F 475C, 887F 485C, 905F
II***	1 and 2***		104F (40C)	T4A (120C, 248F)
III***	1 and 2***		131F (55C) 149F (65C)	T4 (135C, 275F) T3C (160C, 320F)

\*\*\*Pendant mount models only. Pendant mount models are also listed for use in Class II, Division 1, Groups E, F and G, Class II, Division 2, Groups F and G and Class III, Division 1 and 2 hazardous locations.