



AdaptaBeacon® Explosionproof Strobes

Marine Rated Models

106EX^(†)ST Series

FEATURES

- > Bracket, Ceiling or Pendant Mount
- > High impact glass dome
- > Dome guard (optional)
- > 65 flashes per minute

AGENCY APPROVALS

- > UL 1638 and 1203 Listed
- > cUL Listed C22.2 No. 205
- > NEMA Type 3R & Type 4X Rated
- > Marine UL 595 Listed Category UXUB (120V AC, 240V AC, and 250V DC models)
- > Marine UL 1598A Listed (120V AC, 240V AC, and 250V DC models)
- > UL Listed Class I, Div. 1 & 2

Edwards Explosionproof AdaptaBeacon Strobe Lights are designed for installation in hazardous location environments. Rigid specifications and state-of-the-art technology provide for high visual output and low maintenance.

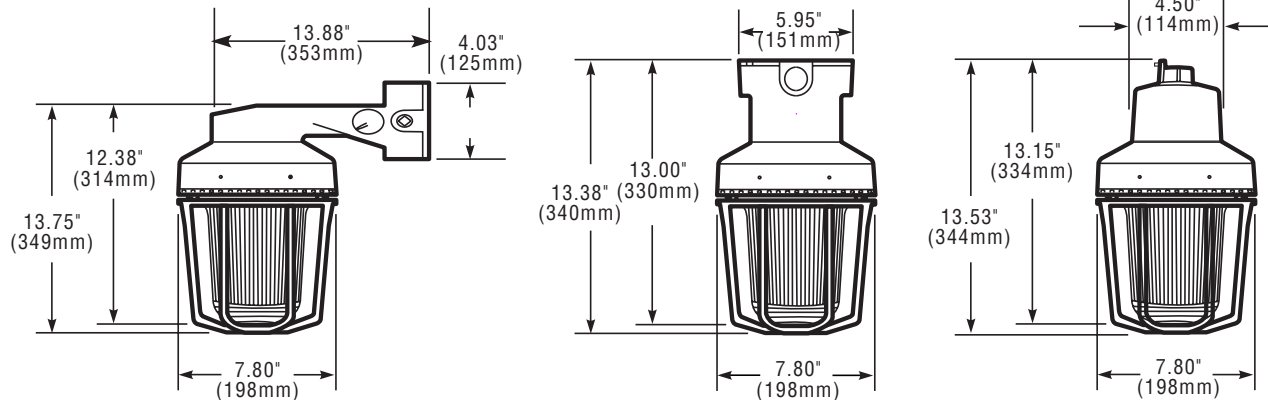
The units are UL Listed for Type 3R and Type 4X installations. The 120V AC, 240V AC and 250V DC models are Marine Rated. Models are available for pendant, wall and ceiling mounting. May be mounted in any orientation.

Typical industrial and commercial applications include: food processing plants, refineries, mines, tankers, laboratories, sewage treatment plants, off shore oil rigs, water and filtration plants, and chemical plants.

† Insert "B" for bracket, "C" for ceiling, or "P" for pendant mount



TECHNICAL INFORMATION



| Cat. No. | Mounting | Voltage | Current | Replacement Dome | Replacement Inner Lens | Optional Dome Guard | Replacement Strobe Tube | Peak Candlepower |
|--------------|----------|---------------|---------|------------------|------------------------|---------------------|-------------------------|------------------|
| 106EXBST*-N5 | Bracket | 120V 50/60 Hz | 0.1A | EDCJGL175 | P30191-1* | EDCJGU15 | 92-ST 3,000 hr.** | 800,000 |
| 106EXBST*-R5 | | 240V 50/60 Hz | 0.05A | | | | | |
| 106EXBST*-EK | | 12 - 48V DC | 1.2A | | | | | |
| 106EXBST*-S1 | | 250V DC | 0.1A | | | | | |
| 106EXCST*-N5 | Ceiling | 120V 50/60 Hz | 0.1A | EDCJGL175 | P30191-1* | EDCJGU15 | 92-ST 3,000 hr.** | 800,000 |
| 106EXCST*-R5 | | 240V 50/60 Hz | 0.05A | | | | | |
| 106EXCST*-EK | | 12 - 48V DC | 1.2A | | | | | |
| 106EXCST*-S1 | | 250V DC | 0.1A | | | | | |
| 106EXPST*-N5 | Pendant | 120V 50/60 Hz | 0.1A | EDCJGL175 | P30191-1* | EDCJGU15 | 92-ST 3,000 hr.** | 800,000 |
| 106EXPST*-R5 | | 240V 50/60 Hz | 0.05A | | | | | |
| 106EXPST*-EK | | 12 - 48V DC | 1.2A | | | | | |
| 106EXPST*-S1 | | 250V DC | 0.1A | | | | | |

*Letter in this position denotes color of the globe: A - amber, B - blue, C - clear, G - green, R - red or M - magenta.

** Calculated at operating power to 75% efficiency.

HAZARDOUS LOCATION LISTINGS

| Class | Division | Group | Ambient Temperature | Operating Temperature Code |
|------------|----------|---------|---------------------|----------------------------|
| I | 1 | C,D | 104F (40C) | T6 (85C, 185F) |
| | | | 131F (55C) | T6 (85C, 185F) |
| | | | 149F (65C) | T6 (85C, 185F) |
| I | 2 | A,B,C,D | 104F (40C) | T2B (260C, 500F) |
| | | | 131F (55C) | T2A (280C, 536F) |
| | | | 149F (65C) | T2A (280C, 536F) |
| II | 2 | F,G | | |
| II | 1 | E,F,G | 104F (40C) | T4A (120C, 248F) |
| 131F (55C) | | | T4 (135C, 275F) | |
| III | 1 and 2 | | 149F (65C) | T4 (135C, 275F) |