



## AdaptaBeacon® Explosionproof Rotating Lights

*Marine Rated*

### 106EX(†)RIN Series

#### FEATURES

- > Bracket, ceiling or pendant mount
- > High impact glass dome
- > Dome guard (optional)
- > 40W halogen bulb or 25W incandescent bulb
- > 75 rotations per minute

#### AGENCY APPROVALS

- > UL 1638 and 1203 Listed
- > cUL Listed C22.2 No. 205
- > NEMA Type 3R & Type 4X Rated
- > Marine UL 595 Listed Category UXUB
- > Marine UL 1598A Listed
- > UL Listed Class I, Div. 1 & 2

Edwards Explosionproof AdaptaBeacon Rotating Lights are designed for installation in hazardous location environments. Rigid specifications and state-of-the-art technology provide for high visual output and low maintenance.

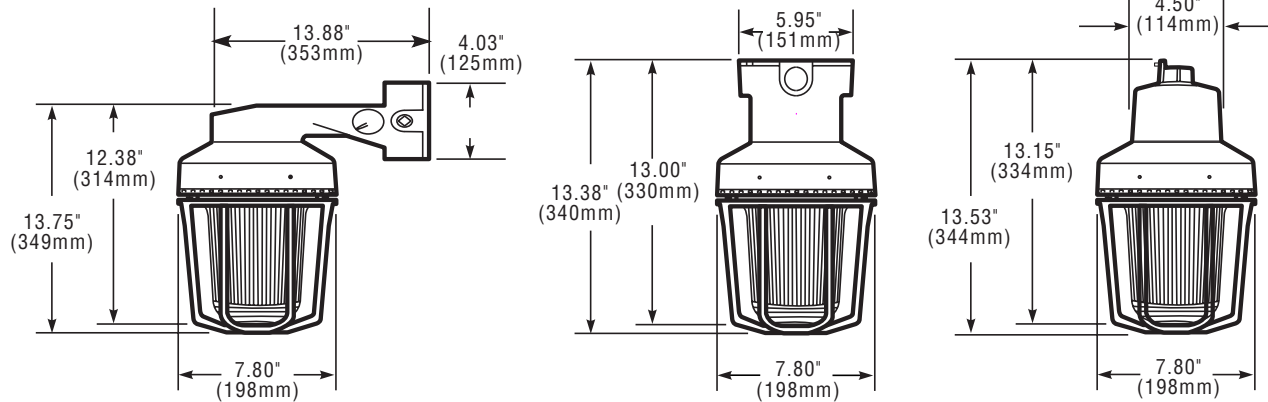
The units are UL Listed for Type 3R, Type 4X and marine installations. Models are available for pendant, wall and ceiling mounting. May be mounted with the dome facing up or down.

Typical industrial and commercial applications include: food processing plants, refineries, mines, tankers, laboratories, sewage treatment plants, off shore oil rigs, water and filtration plants, and chemical plants.

† Insert "B" for bracket, "C" for ceiling, or "P" for pendant mount



## TECHNICAL INFORMATION



Cat. No.	Mounting	Electrical Rating	Replacement Inner Lens***	Replacement Dome	Optional Dome Guard	Replacement Bulb	Peak Candela
106EXBRINH*-N5	Bracket	120V 50/60 Hz 0.35 Amp	See Note	EDCJGL175	EDCJGU15	50LMP-40WH 25,000 hrs.**	3,328
106EXBRIN*-R5	Bracket	240V 50/60 Hz 0.35 Amp	See Note	EDCJGL175	EDCJGU15	P-041917-0039 or 25T8/240V/DC/CL 120 hrs.**	2,914
106EXCRINH*-N5	Ceiling	120V 50/60 Hz 0.35 Amp	See Note	EDCJGL175	EDCJGU15	50LMP-40WH 25,000 hrs.**	3,328
106EXCRIN*-R5	Ceiling	240V 50/60 Hz 0.35 Amp	See Note	EDCJGL175	EDCJGU15	P-041917-0039 or 25T8/240V/DC/CL 120 hrs.**	2,914
106EXPRINH*-N5	Pendant	120V 50/60 Hz 0.35 Amp	See Note	EDCJGL175	EDCJGU15	50LMP-40WH 25,000 hrs.**	3,328
106EXPRIN*-R5	Pendant	240V 50/60 Hz 0.35 Amp	See Note	EDCJGL175	EDCJGU15	P-041917-0039 or 25T8/240V/DC/CL 120 hrs.**	2,914

\*Letter in this position denotes color of the beam: A - amber, B - blue, C - clear, G - green, R - red or M - magenta.

\*\* Projected life based on manufacturer's calculated lamp life.

\*\*\* Amber - 59606065001, Blue - 59606065002, Green - 59606065003, Red - 59606065004, Magenta - 59606065004

## HAZARDOUS LOCATION LISTINGS

Class	Division	Group	Ambient Temperature	Operating Temperature Code
I	1	C,D	104F (40C)	T6 (85C, 185F)
			131F (55C)	T5 (100C, 212F)
			149F (65C)	T4A (120C, 248F)
I	2	A,B,C,D	104F (40C)	T1 (450C, 842F)
			131F (55C)	T1 (450C, 842F)
			149F (65C)	T1 (450C, 842F)
II	1	E,F,G	104F (40C)	T4A (120C, 248F)
131F (55C)			T4 (135C, 275F)	
149F (65C)			T4 (135C, 275F)	
III	1 and 2			