



AdaptaBeacon® Explosionproof Strobes

*Diode Polarized
Marine Rated*

106DEX(†)STM-FJ Series

FEATURES

- > Bracket, Ceiling or Pendant Mount
- > Diode polarized for use in electronically supervised circuits
- > High impact glass dome
- > Dome guard (optional)
- > 65 flashes per minute

AGENCY APPROVALS

- > Marine Rated
- > NEMA Type 3R & Type 4X Rated
- > UL Listed Class I, Div. 1 & 2

Edwards Explosionproof AdaptaBeacon Strobe Lights are designed for installation in hazardous location environments. Rigid specifications and state-of-the-art technology provide for high visual output and low maintenance. Powder coat epoxy finished gray.

Each explosionproof strobe is UL Listed for Type 3R and Type 4X installations. The unit's are marine rated, and contain a supervisory diode and four wire leads.

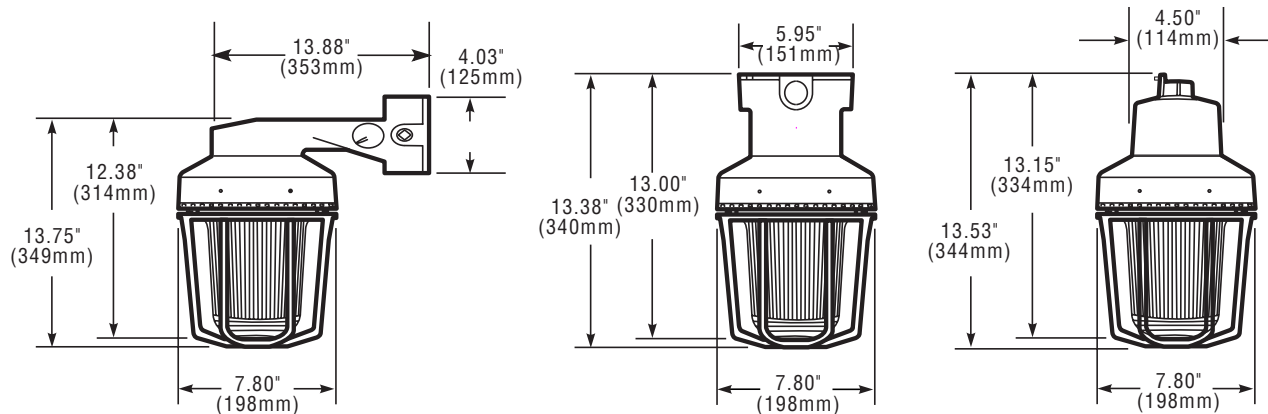
Models are available for pendant, wall and ceiling mounting. May be mounted in any orientation.

The Edwards 106DEXSTM-FJ Hazardous Location Supervised AdaptaBeacon Strobe Light is designed for use in applications requiring electrical supervision of signaling circuit field wiring.

† Insert "B" for bracket, "C" for ceiling, or "P" for pendant mount



TECHNICAL INFORMATION



Cat. No.	Lens Color	Mounting	Electrical Rating	Replacement Dome	Replacement Inner Lens	Optional Dome Guard	Replacement Strobe Tube	Peak Candlepower
106DEXBSTMR-FJ	Red	Bracket	20 - 30V DC 1.08-0.83 Amps	EDCJGL175	P30191-1R	EDCJGU15	92-ST 3,000 hr*	800,000
106DEXBSTMA-FJ	Amber				P30191-1A			
106DEXBSTMB-FJ	Blue				P30191-1B			
106DEXBSTMG-FJ	Green				P30191-1G			
106DEXBSTMM-FJ	Magenta				P30191-1M			
106DEXBSTMC-FJ	Clear				P30191-1C			
106DEXCSTMR-FJ	Red	Ceiling	20 - 30V DC 1.08-0.83 Amps	EDCJGL175	P30191-1R	EDCJGU15	92-ST 3,000 hr*	800,000
106DEXCSTMA-FJ	Amber				P30191-1A			
106DEXCSTMB-FJ	Blue				P30191-1B			
106DEXCSTMG-FJ	Green				P30191-1G			
106DEXCSTMM-FJ	Magenta				P30191-1M			
106DEXCSTMC-FJ	Clear				P30191-1C			
106DEXPSTMR-FJ	Red	Pendant	20 - 30V DC 1.08-0.83 Amps	EDCJGL175	P30191-1R	EDCJGU15	92-ST 3,000 hr*	800,000
106DEXPSTMA-FJ	Amber				P30191-1A			
106DEXPSTMB-FJ	Blue				P30191-1B			
106DEXPSTMG-FJ	Green				P30191-1G			
106DEXPSTMM-FJ	Magenta				P30191-1M			
106DEXPSTMC-FJ	Clear				P30191-1C			

*Calculated at operating power to 75% efficiency.

HAZARDOUS LOCATION LISTINGS

Class	Division	Group	Ambient Temperature	Operating Temperature Code
I	1	C,D	104F (40C)	T6 (85C, 185F)
			131F (55C)	T6 (85C, 185F)
			149F (65C)	T6 (85C, 185F)
I	2	A,B,C,D	104F (40C)	T2B (260C, 500F)
			131F (55C)	T2A (280C, 536F)
			149F (65C)	T2A (280C, 536F)
II	1	E,F,G	104F (40C)	T4A (120C, 248F)
			131F (55C)	T4 (135C, 275F)
			149F (65C)	T4 (135C, 275F)
II	2	F,G		
III	1 and 2		104F (40C)	T4A (120C, 248F)
			131F (55C)	T4 (135C, 275F)
			149F (65C)	T4 (135C, 275F)