



## AdaptaBeacon® Explosionproof Strobe

*Diode Polarized, NEMA Type  
3R & 4X, UL 1971 Listed*

**106DEX<sup>(†)</sup>STC-FJ Series**

### FEATURES

- > Bracket, Ceiling or Pendant Mount
- > Diode polarized for use in electronically supervised circuits
- > High impact glass dome
- > Dome guard (optional)
- > 65 flashes per minute
- > For use in fire alarm systems

Edwards Explosionproof AdaptaBeacon Strobe Lights are designed for installation in hazardous location environments. Rigid specifications and state-of-the-art technology provide for high visual output and low maintenance. Powder coat epoxy finished gray.

Each explosionproof strobe is UL Listed for Type 3R and Type 4X installations. The unit's contain a supervisory diode and four wire leads, for use in fire alarm applications. This strobe is also UL 1971 Listed (ADA) for indoor visual signaling applications for the hearing impaired in non-sleeping areas.

### AGENCY APPROVALS

- > UL 1971 Listed for indoor visual signaling for the hearing impaired in non-sleeping areas
- > NEMA Type 3R & Type 4X Rated
- > Rated at 55 candela (wall) and 35 candela (ceiling) per UL 1971
- > UL Listed Class I, Div. 1 & 2

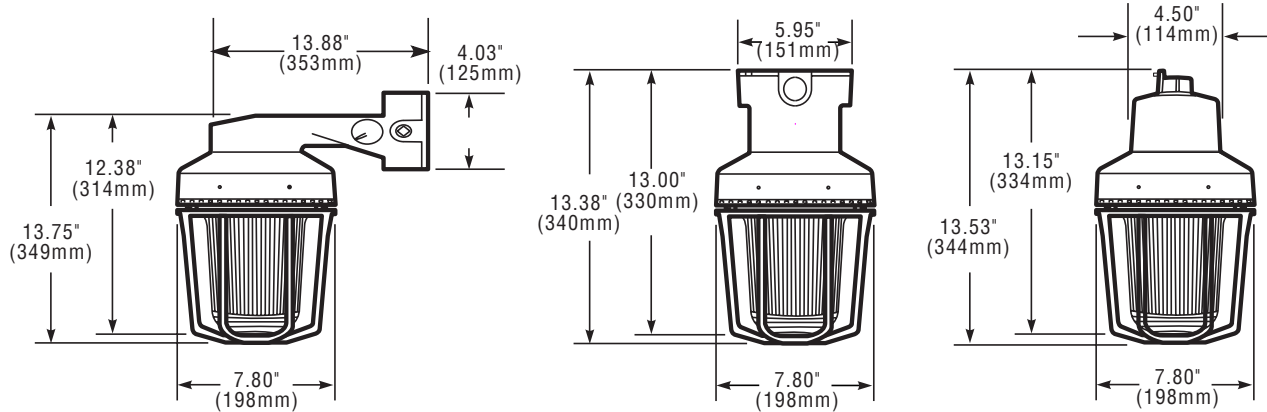
Models are available for pendant, wall and ceiling mounting. May be mounted in any orientation.

The Edwards 106DEX-FJ Hazardous Location Supervised AdaptaBeacon Strobe Light is designed for use in compatible fire alarm systems and other applications requiring electrical supervision of signaling circuit field wiring.

† Insert "B" for bracket, "C" for ceiling, or "P" for pendant mount



## TECHNICAL INFORMATION



Cat. No.	Lens Color	Mounting	Electrical Rating	Replacement Dome	Optional Dome Guard	Replacement Strobe Tube	Peak Candlepower
106DEXBSTC-FJ	Clear	Bracket	20 - 30V DC 1.4 Amp	EDCJGL175	EDCJGU15	92-ST 3,000 hr*	800,000
106DEXCSTC-FJ	Clear	Ceiling	20 - 30V DC 1.4 Amp	EDCJGL175	EDCJGU15	92-ST 3,000 hr*	800,000
106DEXPSTC-FJ	Clear	Pendant	20 - 30V DC 1.4 Amp	EDCJGL175	EDCJGU15	92-ST 3,000 hr*	800,000

\*Calculated at operating power to 75% efficiency.

## HAZARDOUS LOCATION LISTINGS

Class	Division	Group	Ambient Temperature	Operating Temperature Code
I	1	C,D	104F (40C)	T6 (85C, 185F)
			131F (55C)	T6 (85C, 185F)
			149F (65C)	T6 (85C, 185F)
I	2	A,B,C,D	104F (40C)	T2B (260C, 500F)
			131F (55C)	T2A (280C, 536F)
			149F (65C)	T2A (280C, 536F)
II	1	E,F,G	104F (40C)	T4A (120C, 248F)
			131F (55C)	T4 (135C, 275F)
			149F (65C)	T4 (135C, 275F)
II	2	F,G		
III	1 and 2		104F (40C)	T4A (120C, 248F)
			131F (55C)	T4 (135C, 275F)
			149F (65C)	T4 (135C, 275F)