



## VISUAL SIGNALS



# AdaptaBeacon® Explosionproof Rotating Lights

*Diode Polarized, Marine Rated*

**106DEX<sup>(†)</sup>RINH-GW Series**

### FEATURES

- > Bracket, ceiling or pendant mount
- > Diode polarized for use in electrically supervised circuits
- > High impact glass dome
- > Dome guard (optional)
- > 20W halogen bulb
- > 75 rotations per minute

### AGENCY APPROVALS

- > UL 1638 and 1203 Listed
- > cUL Listed C22.2 No. 205
- > NEMA Type 3R and Type 4X Rated
- > Marine UL 595 Listed Category UXUB
- > Marine UL 1598A Listed
- > UL Listed Class I, Div. 1 & 2

Edwards Explosionproof AdaptaBeacon Rotating Lights are designed for installation in hazardous location environments. Rigid specifications and state-of-the-art technology provide for high visual output and low maintenance. The units are UL Listed for Type 3R, Type 4X and marine installations.

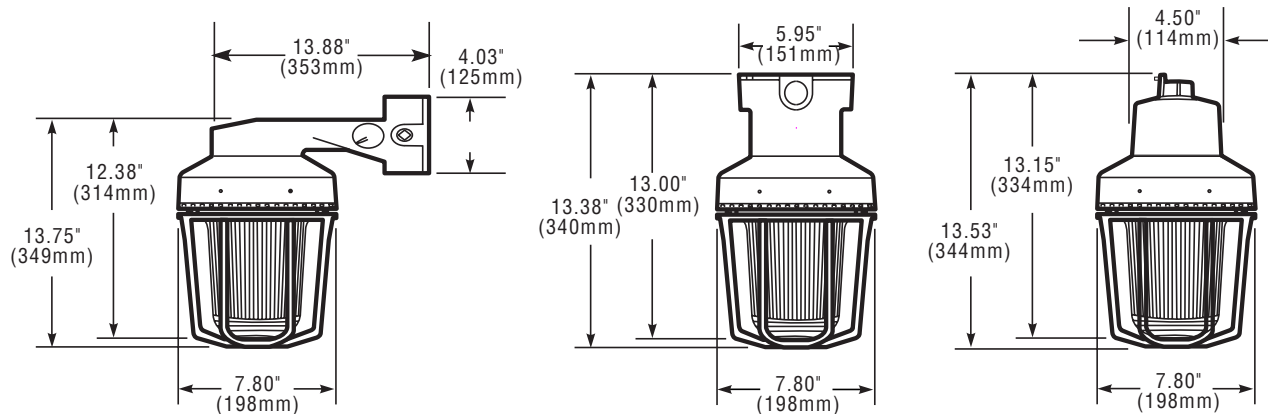
Models are available for pendant, wall and ceiling mounting. May be mounted with the dome facing up or down.

Typical industrial and commercial applications include: food processing plants, refineries, mines, tankers, laboratories, sewage treatment plants, off shore oil rigs, water and filtration plants, and chemical plants.

† Insert "B" for bracket, "C" for ceiling, or "P" for pendant mount



## TECHNICAL INFORMATION



Cat. No.	Lens Color	Mounting	Electrical Rating	Replacement Inner Lens	Replacement Dome	Optional Dome Guard	Replacement Bulb	Peak Candlepower
106DEXBRINHR-GW	Red	Bracket	24 - 28V DC 0.8 Amp	59606065004	EDCJGL175	EDCJGU15	50LMP-20WH 20W Halogen Bulb 25,000 hours*	2838
106DEXBRINHA-GW	Amber			59606065001				
106DEXBRINHB-GW	Blue			59606065002				
106DEXBRINHG-GW	Green			59606065003				
106DEXBRINHM-GW	Magenta			59606065005				
106DEXBRINHC-GW	Clear			-				
106DEXCRINHR-GW	Red	Ceiling	24 - 28V DC 0.8 Amp	59606065004	EDCJGL175	EDCJGU15	50LMP-20WH 20W Halogen Bulb 25,000 hours*	2838
106DEXCRINHA-GW	Amber			59606065001				
106DEXCRINHB-GW	Blue			59606065002				
106DEXCRINHG-GW	Green			59606065003				
106DEXCRINHM-GW	Magenta			59606065005				
106DEXCRINHC-GW	Clear			-				
106DEXPRINHR-GW	Red	Pendant	24 - 28V DC 0.8 Amp	59606065004	EDCJGL175	EDCJGU15	50LMP-20WH 20W Halogen Bulb 25,000 hours*	2838
106DEXPRINHA-GW	Amber			59606065001				
106DEXPRINHB-GW	Blue			59606065002				
106DEXPRINHG-GW	Green			59606065003				
106DEXPRINHM-GW	Magenta			59606065005				
106DEXPRINHC-GW	Clear			-				

\*Projected lamp life based on manufacturer's calculated lamp life at 65 fpm and 50% duty cycle.

## HAZARDOUS LOCATION LISTINGS

Class	Division	Group	Ambient Temperature	Operating Temperature Code
I	1 and 2	C,D	104F (40C)	T6 (85C, 185F)
			131F (55C)	T5 (100C, 212F)
			149F (65C)	T4A (120C, 248F)
I	2	A,B,C,D	104F (40C)	T2B (260C, 500F)
			131F (55C)	T2A (280C, 536F)
			149F (65C)	T2A (280C, 536F)
II	1 and 2	F,G	104F (40C)	T4A (120C, 248F)
II	1	E	131F (55C)	T4 (135C, 275F)
			149F (65C)	T4 (135C, 275F)
			149F (65C)	T4 (135C, 275F)