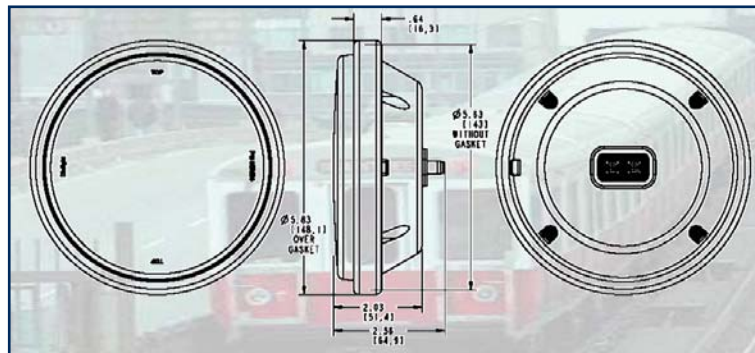


FEATURES / BENEFITS

- ▲ High intensity red LED lamp
- ▲ 24 to 90 VDC operating range
- ▲ Transient voltage protected
- ▲ Rugged cast aluminum housing
- ▲ Durable hard coated polycarbonate lens
- ▲ Screw terminals on rear of lamp
- ▲ Compatible with most existing fixtures
- ▲ Rubber grommet included for enclosure seal
- ▲ High vibration resistance
- ▲ Reduced current draw
- ▲ Longer life-25k hours



Part Number	Description	Typical Current	Color
P46-1R05-C01	24 – 90 Volts DC	500 mAmps@ 36 VDC	RED



Other products are available.
Please contact your Dialight Sales Representative
for more information.



A4703



ISO 9001

Dialight Corporation

Dialight Corporation

1501 Route 34 South • Farmingdale, NJ 07727 USA

Tel: (1) 732.919.3119 • Fax: (1) 732.751.5778 • www.dialight.com



a Roxboro Group Company



LED Indicators For Railroad Applications

Based on the demand from rail car manufacturers and transit authorities, Dialight now offers a collection of products specifically designed to accommodate the needs of the railroad industry. All of these products utilize the latest LED technology, are highly durable, and are direct replacements for incandescent lighting.



556 Series LED Panel Mount Indicators

This series has been expanded to include 37.5 VDC, 74 VDC, and 125 VDC, providing for a smooth transition from incandescent to LED technology. These are our most popular LED indicators, and are used in a variety of applications.

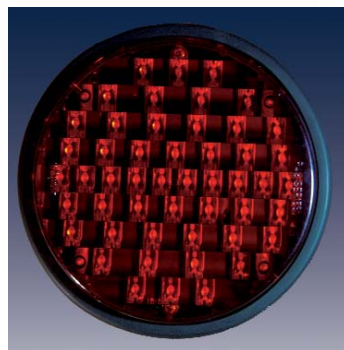
556 Series Exterior Door Indicators

The 556 Series LEDs have been repackaged in aluminum housings, for use as Exterior Door Indicators. These highly durable units are available with one, two, or three indicators, in any combination of colors. The units are fully customizable to your application.



5 1/2 Inch LED Marker Light

Dialight is currently engineering a rear LED Marker Light. Like our other indicators, this product will offer a long life and energy savings in a durable package.



Dialight Corporation

1501 Route 34 South • Farmingdale, NJ 07727 USA

Tel: (1) 732.919.3119 • Fax: (1) 732.751.5778 • www.dialight.com



a Roxboro Group Company





High Intensity LED Panel Mount Indicators 556 Series for 1" Mounting Hole Watertight



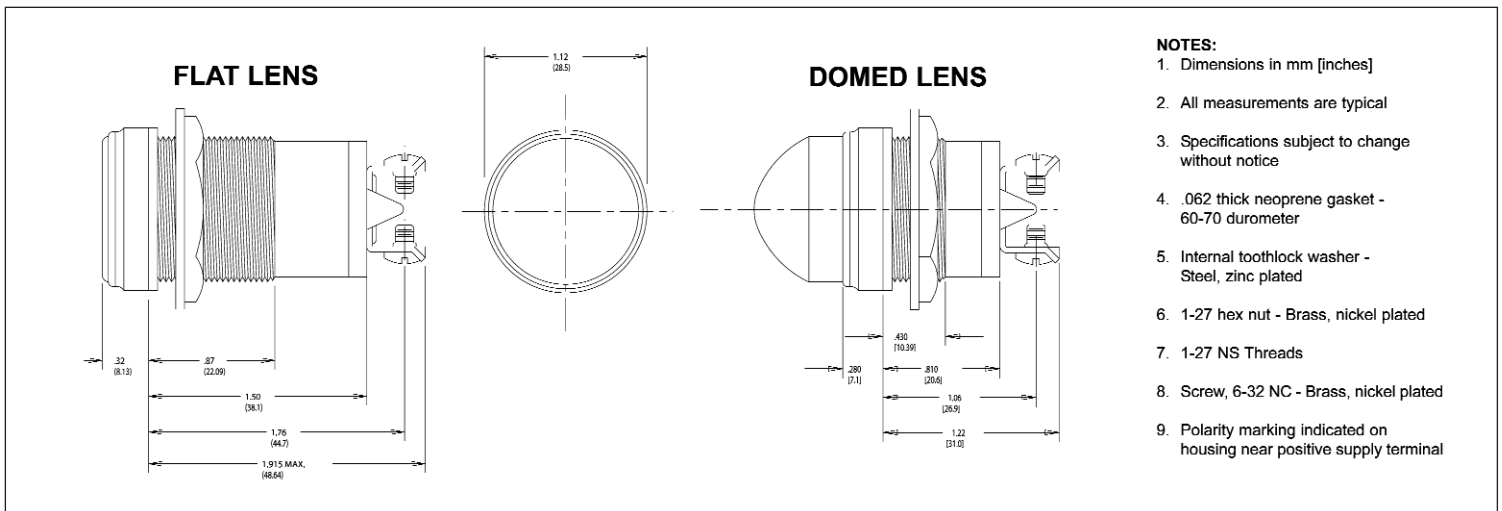
FEATURES / BENEFITS

- ▲ InGaN and AlInGaP technology
- ▲ Long life, lasting 100,000 hours
- ▲ Wide viewing angle feature of domed lens
- ▲ Low profile flat lens
- ▲ Multi LED construction
- ▲ Uniform illumination
- ▲ Daylight viewable
- ▲ High durability
- ▲ Tamperproof

PART NUMBER	COLOR	LENS STYLE	VOLTAGE	CURRENT (mA)	TYPICAL INTENSITY (fL)
556-3508-304	Red	Dome	37.5 DC	20	1000
556-3608-304	Green	Dome	37.5 DC	16	1800
556-3708-304	Yellow	Dome	37.5 DC	20	1000
556-1508-304	Red	Flat	37.5 DC	20	2600
556-1608-304	Green	Flat	37.5 DC	16	4000
556-1708-304	Yellow	Flat	37.5 DC	20	2600
556-3506-304	Red	Dome	74 DC	10	700
556-3606-304	Green	Dome	74 DC	10	1000
556-3706-304	Yellow	Dome	74 DC	10	700
556-3507-304	Red	Dome	125 DC	10	700
556-3607-304	Green	Dome	125 DC	10	1000
556-3707-304	Yellow	Dome	125 DC	10	700

PRODUCT SPECIFICATIONS

- ▲ Housing material: nickel plated brass
- ▲ Lens material: polycarbonate 94-VO
- ▲ Storage temperature: -40°C to +100°C
- ▲ Operating temperature: -30°C to +85°C
- ▲ Front mounting in 1" clearance hole
- ▲ Watertight seal from front of panel meets NEMA 4X IP 66



556 Series Exterior Door Indicators

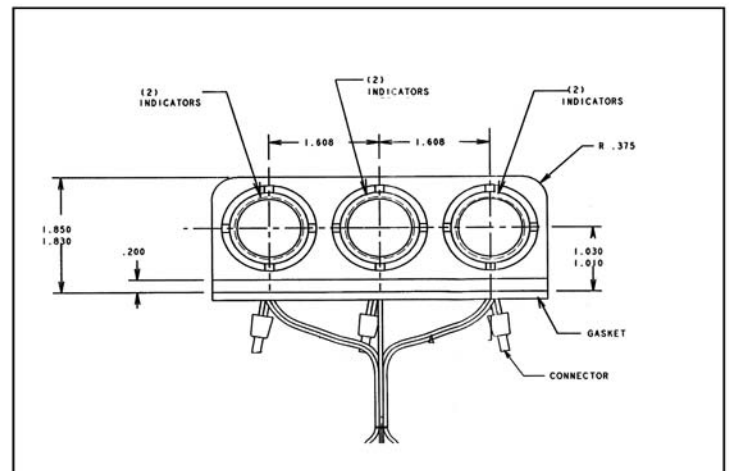
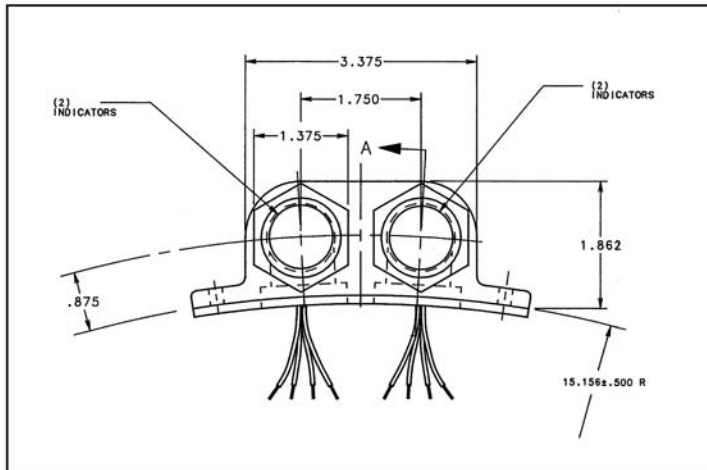


PRODUCT SPECIFICATIONS

- Housing material: aluminum
- Lens material: lexan
- Water sealed from front

OPTIONS

- Choose your color combination
- Customize with a connector



LED Indicators for Rail Applications