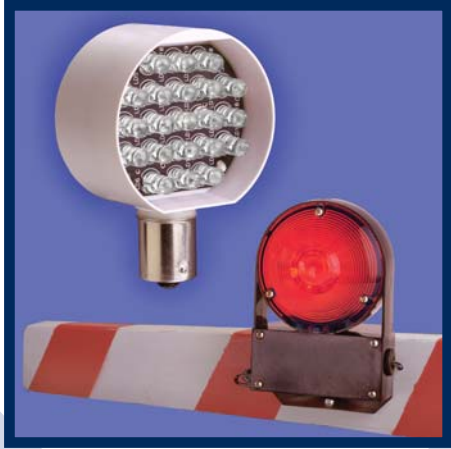


# Dialight

## 15 MM RIGHT ANGLE BASED LED



### FEATURES / BENEFITS

#### Single and Double Sided

- ▲ Long life- up to 100,000 hours
- ▲ Energy savings- LEDs are eight times more efficient than incandescent bulbs
- ▲ Durability- vibration and shock resistant
- ▲ Non-polarized product operates at 10-12 volts AC/DC

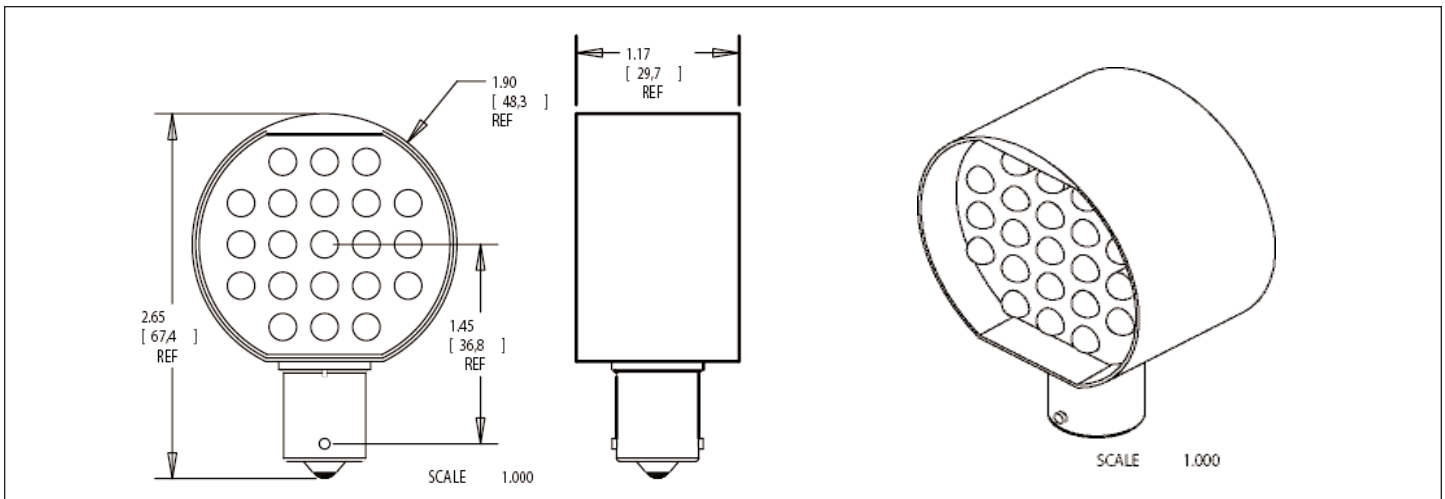
### SPECIFICATIONS

#### SINGLE SIDED

Part Number	Color	Vf	Watts	Intensity Per LED (cd)	Peak (nm) Wavelength
586-5611-202	Red	10-12 AC/DC	2W	4	639
586-5613-202	Amber	10-12 AC/DC	2W	4	594
586-5615-202	Blue	10-12 AC/DC	1.5W	3	465
586-5616-202	White	10-12 AC/DC	1.5W	5.6	*
586-5617-202	Blue-Green	10-12 AC/DC	1.5W	3.4	505
586-5621-202	Red	10-12 AC/DC	4W	4	639

#### DOUBLE SIDED

\* Typical Color Coordinates: X .291, Y .305



#### Dialight Corporation

1501 Route 34 South • Farmingdale, NJ 07727 USA

Tel: (1) 732.919.3119 • Fax: (1) 732.751.5778 • www.dialight.com

