

Dialight

586 SERIES LED Track Position



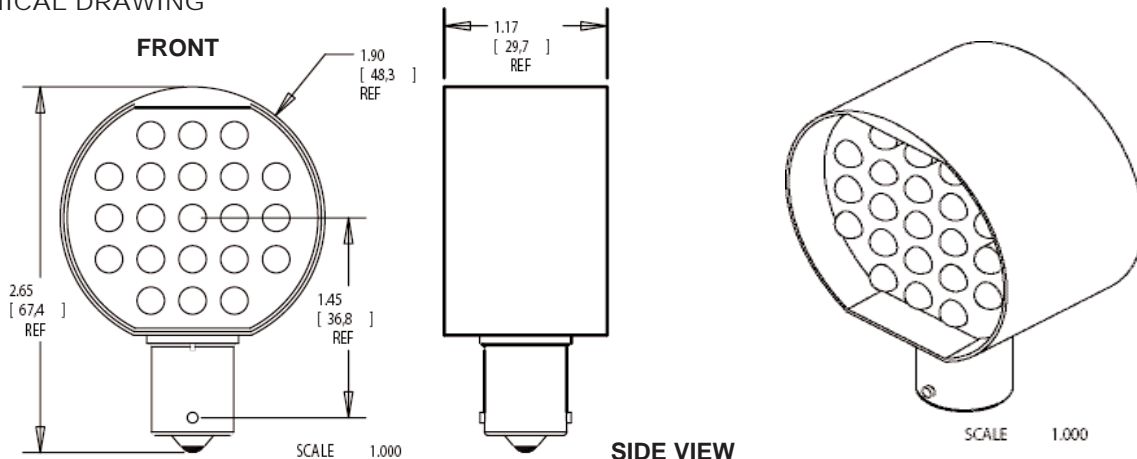
FEATURES / BENEFITS

- ▲ Features Hi-Flux LEDs to simulate point light source for enhanced optical performance
 - Faster on/off response time than incandescent lamps improves safety
 - Flicker resistance & reduced current draw
 - 5+ year life reduces maintenance costs
 - Redundant LED circuits (single LED failure does not turn off lamp)
- ▲ Prevents sun phantom effects by eliminating use of colored inner filter lenses
- ▲ Designed to fit Safetran, US&S, GRS housings
- ▲ Uses existing signal head outer lens
- ▲ Certified for Rail environment

APPLICATION

▲ The 586 Series LED Track Position Lamp Modules were developed by Dialight specifically for retrofit applications where replacement of existing incandescent light bulbs is desired. This installation approach provides all the benefits of LEDs without the complex retrofit of the entire lens and housing assemblies. Installation is nearly as simple as replacement of the incandescent bulb. Dialight lamp modules have been fully qualified for the Rail environment and incorporate power factor correction and total harmonic distortion reduction circuitry.

MECHANICAL DRAWING



▲ Dialight is the recognized leader in LED applications for Transportation Signaling, and has worked cooperatively with leading Transit Rail customers to develop this unique solution to Wayside Signal applications for LEDs. It is proven to be a preferred product over traditional 5mm LED distributed array solutions.

Dialight Corporation

1501 Route 34 South • Farmingdale, NJ 07727 USA

Tel: (1) 732-919-3119 • Fax: (1) 732-751-5778 • www.dialight.com



a Roxboro Group Company



ELECTRICAL CHARACTERISTICS @ 25° C

Part Number	Description	WATTS	Operating Voltage
586-5611-202	Red, Single Sided	2	12V AC/DC
586-5617-202	Green, Single Sided	1.5	12V AC/DC
586-5613-202	Yellow, Single Sided	2	12V AC/DC
586-5615-202	Blue, Single Sided	1.5	12V AC/DC
586-5616-202	Lunar, Single Sided	1.5	12V AC/DC

OPTICAL PERFORMANCE @ 25° C

Part Number	Description	Typical Initial Light Output	Peak Wavelength
		On-axis* Intensity (cd)	
586-5611-202	Red, Single Sided	4	639
586-5617-202	Green, Single Sided	3.4	505
586-5613-202	Yellow, Single Sided	4	594
586-5615-202	Blue, Single Sided	3	465
586-5616-202	Lunar, Single Sided	5.6	*

* Typical Color Coordinates X = .291, Y = .305



A4703



ISO 9001

Dialight Corporation

Dialight Corporation

1501 Route 34 South • Farmingdale, NJ 07727 USA

Tel: (1) 732-919-3119 • Fax: (1) 732-751-5778 • www.dialight.com



a Roxboro Group Company