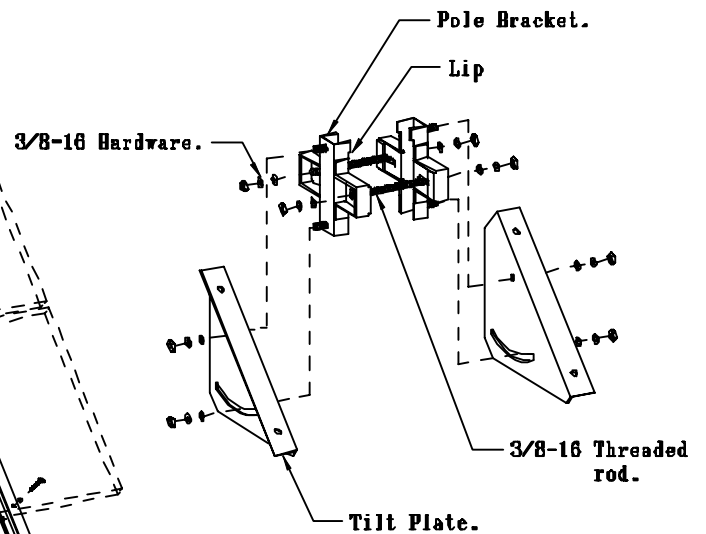


ITEM
Pole Bracket
3/8-16 x 6" Threaded Rod
Tilt Plate
Cross Rail
Panel Support
5/16-18 x 2 1/2" Bolt
5/16-18 x 3/4" Bolt
5/16 Flat Washer
5/16 Lock Washer
5/16-18 Nut
3/8 Flat Washer
3/8 Lock Washer
3/8-16 Nut



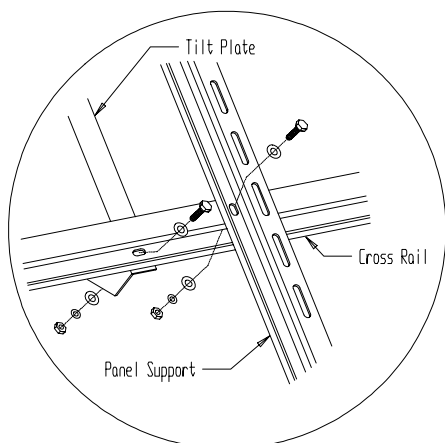


Figure 1

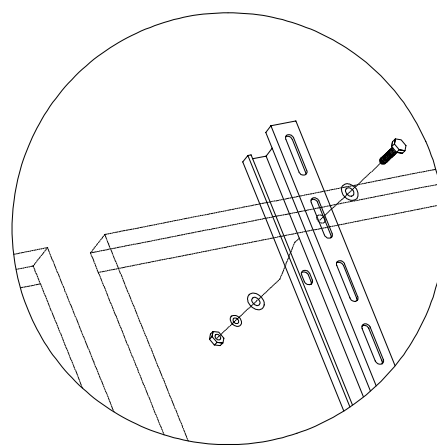


Figure 2

Installation Steps:

Read all of the instructions prior to beginning assembly.

1. Lay the modules face down on a protected surface in the appropriate orientation.
2. Lay the Panel Supports on the back of the modules as shown and attach using the hardware supplied in the “Standard Module Kit(s)”. Once the modules are aligned properly and Panel Supports are parallel, tighten the hardware to the appropriate torque values.
3. Position, center and then attach the Cross Rails to the Tilt Plates using supplied hardware.
4. Slide Pole Brackets on Pole until the “lip” catches the top of the pole, install Studs and hardware, rotate into position and tighten.
5. Attach the Tilt Plates to the Pole Brackets using supplied hardware and rotate to the 15° position. Finger tighten the hardware only.
6. Lift Solar Array Assembly onto the Cross Rails and the attach using the supplied hardware.
7. With the exception of the Tilt Plates, tighten hardware to following torque values:
 - a. 1/4-inch hardware to 7 ft·lbs
 - b. 5/16-inch hardware to 8.3 ft·lbs
 - c. 3/8-inch hardware to 12 ft·lbs
8. Adjust the tilt angle to the module manufacturers recommendation.

