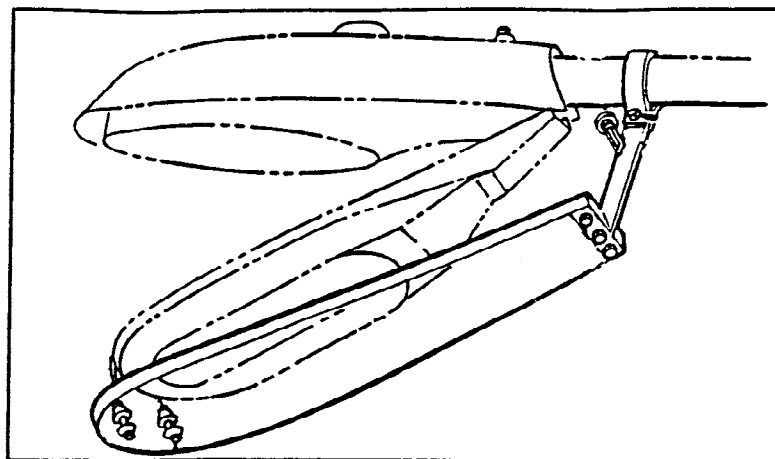


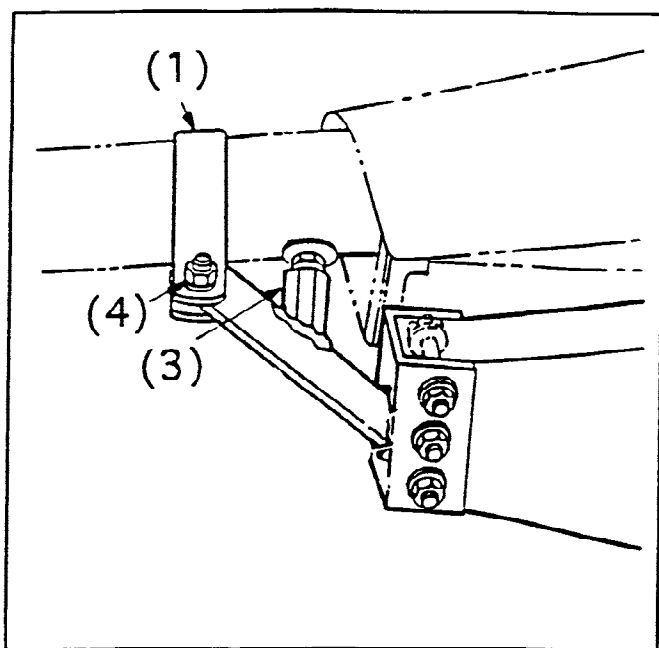
TORSION FLEX SHIELD

Models: 046 FL-100
046 FL-200
046 FL-400

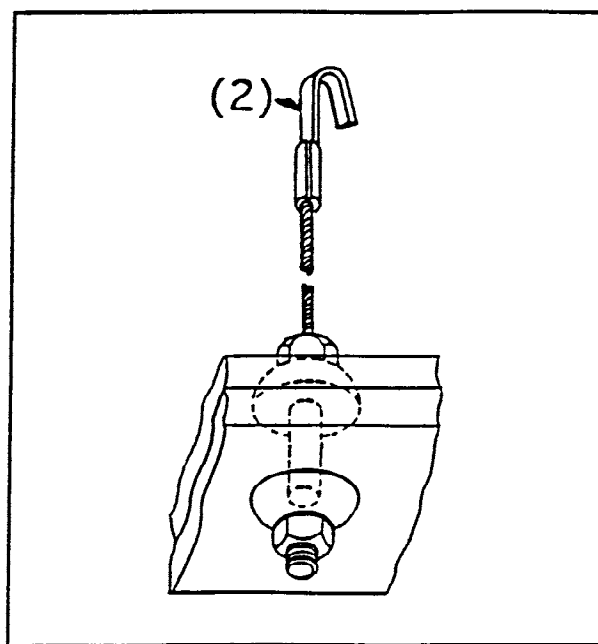


INSTALLATION INSTRUCTIONS

1. Remove clamp (1) from shield.
2. Install clamp on existing pole arm and attach shield to clamp.
3. Open lens door and attach hooks (2) over the edge of lens door.
4. Position lens door so that it is one inch from being closed. Adjust carriage bolt (3) to touch pole arm.
5. Close lens door by applying pressure with your hands. Make sure lens door is locked.
6. Go back to the clamp bolt (4) and tighten.



Torsion Adjustment System



Hook & Cable Assembly