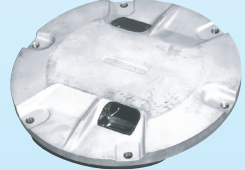


# PRO III™ RCL/TDZ



## Runway Centerline Light or Touchdown Zone Light or Rapid Exit Taxiway Indicator Light

**Compliances:** FAA AC 150/5345-46: L-850A; L-850B  
ICAO Annex 14: Fig. 2.5 and 2.7  
USN NAVAIR 51-50AAA-2  
Transport Canada Specification K 271: Fig B5 and B8  
UFC 3-535-01



**RCL / TDZ 12"**  
1 Piece 12" Fixture

### Applications

The RCL/TDZ light does double duty as a runway centerline light and touchdown zone light. The RCL is a bidirectional light, typically clear/clear or clear/red, with two 48 W lamps. The TDZ is a clear unidirectional light, with a 48 W lamp. RCL /TDZ may be used for any category FAA, ICAO, or military runway.

### Features



- ETL Certified
- Low Profile, < .25" (6mm) – FAA Style 3
- High-strength aluminum optical assembly
- Low Power Consumption
- Few Parts to Stock
- Beam Orientation can be easily changed to left or right toe-in
- Easy to maintain – no sealant required for prism or feed-through assembly replacement
- Pressure test plug for seal integrity verification
- Long Lamp Life – Quartz Halogen, 48 W

### Ordering Information



**Fixture Type:**  
A = Runway centerline light  
B = Touchdown zone light

**Color Filters:**  
CC = Clear/Clear (L-850A)  
CR = Clear/Red (L-850A)  
RX = Red/Blank (L-850A)  
C = Clear (L-850B)  
CX = Clear/Blank (L-850B)

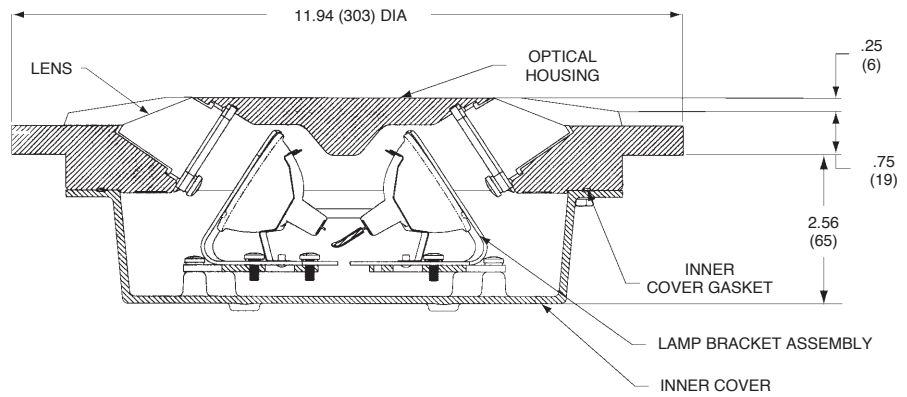
**L-823 Plug Connection:**  
P1 = One plug  
P2 = Two plugs (L-850A only)

**Beam Orientation (L-850B only):**  
L = Left Toe-in  
R = Right Toe-in  
S = Straight

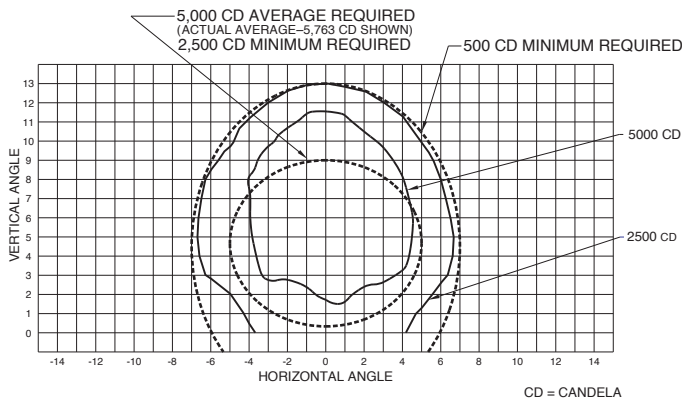
Note: "S" Beam Orientation not certified under FAA

## Outline Drawings

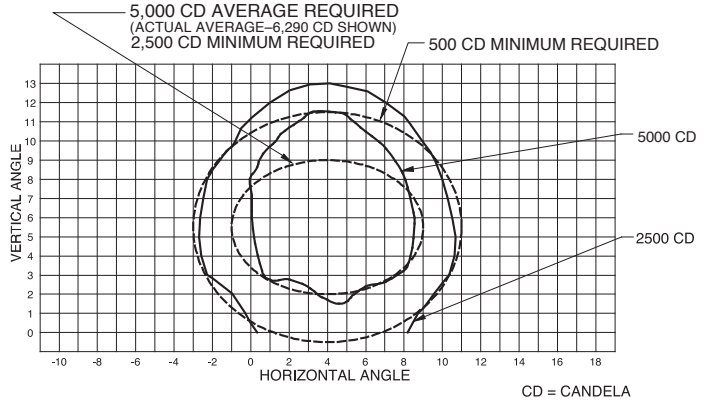
<b>Dimensions:</b>	inches (mm)
<b>Instruction Manual:</b>	2404
<b>Shipping Weight:</b>	16.0 lbs 7.3 kg
<b>Shipping Volume:</b>	0.7 cu ft 0.02 m <sup>3</sup>



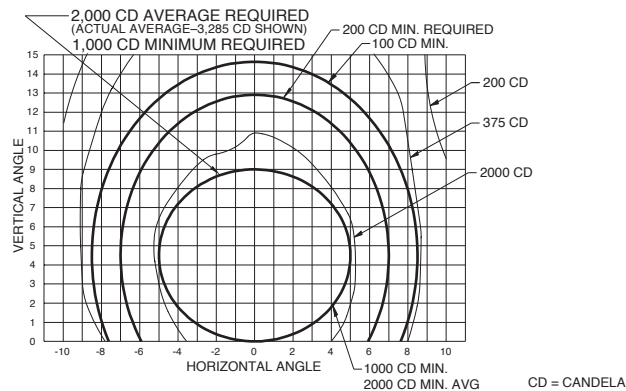
## Typical Photometric Data



**L-850A Runway Centerline Light**



**L-850B Touchdown Zone Light**



**Rapid Exit Taxiway Indicator Light**

## Accessories

Catalog Number	Item Description	Catalog Number	Item Description
AC24242H200003	Base: L-868B, Class I, 24" Deep	823KP-D4-D4	Connector Kit – L-823, 8 AWG, .32" to .43" O.D.
33001	Isolation Transformer – 45 W, 6.6/6.6 A	10047-2154	Heat Shrink Kit – 1 Piece
33004	Isolation Transformer – 100 W, 6.6/6.6 A	10047-1425	Heat Shrink Kit – 2 Piece
33005	Isolation Transformer – 100 W, 20/6.6 A		

## Renewal Parts

Part Number	Description	Part Number	Description
21116	Lamp – 48 W, 6.6 A	21121	Feed-through Assembly – 2 Lamp, 1 Connector
21126-C*	Lens Replacement Kit – Clear	21122	Feed-through Assembly – 1 Lamp, 1 Connector
21126-R**	Lens Replacement Kit – Red	10048-25	Gasket Lubricant – 5.3 oz Container
21140	Gasket – Bottom Cover		

\* Includes 21102-C lens, 21103 lens boot, 21101 lens retaining gasket and gasket lubricant.

\*\* Includes 21102-R lens, 21103 lens boot, 21101 lens retaining gasket and gasket lubricant.



**Crouse-Hinds**  
Revised - 04/08

Home Office: United States – 860-683-4300  
International Offices: Canada • China • Dubai • Mexico • Shanghai