

TMSPDC Transportable Modular (Trailer-Modular Power Storage - Offices)

Characteristics: Transportable; **Modular;** Simple; Rugged; Military Grade.

Systems Designed to survive harsh environments

Our line of solar transportable power units (TSPDC) provides stand-alone photovoltaic power. These portable units supply AC power just about anywhere the sun shines. Our systems are fully assembled and factory tested for immediate use in the field.

Emergency efforts are often hampered by the lack of electricity. Our TSPDC units are designed to fill the gap until power is restored. They can provide refrigeration for medical supplies, water filtration systems can be made operational, and communication equipment can be powered to help in the recovery process.

Our units require only five minutes for one person to assemble:

1. Park the unit (see instruction on solar modules orientation)
2. Switch ON the power unit.
3. Switch ON the lift arms to get to the desired angle of orientation.

Features:

- Smallest foot for maximal energy harvest, storage and production.
- Solar modules are fully encapsulated to resist harsh weather conditions.
- Pure sine-wave rugged inverters.
- MPPT charge controllers.
- Gel Deep Cycle, Valve-Regulated, Gelled-Electrolyte heavy duty batteries.
- Stainless steel fasteners & aluminum racking.
- Active and Passive ventilation of the unit.
- Full locking and secure.
- Full enclosed.
- Full weather proof.
- Fully deployable in 5-10 minutes, one person.
- Exclusive array design protect panel while in transit.
- Designed for hazardous conditions.
- Optional Heavy Duty Lifting Hooks Helicopter transportable.
- External Outlets: Weatherproof Covers and Plates, Material Aluminum, Receptacles different configurations can be special order.



Systems Specs:

Item# 25900 - 4KW 120VAC 60Hz.

Item# 25901 - 4KW 230VAC 50Hz.

Item# 25910 - 4KW 120VAC 60Hz. Military

Item# 25911 - 4KW 230VAC 50Hz. Military

- Daily PV Output 4Kw
- Battery Bank Storage 18Kw
- Rated AC Output 3,5Kw
- AC Surge 6Kw
- Cargo Trailer 4'x6'
- Axle single 3,400Lbs

Item# 25902 - 8KW 120VAC 60Hz.

Item# 25903 - 8KW 230VAC 50Hz.

Item# 25920 - 8KW 120VAC 60Hz. Military

Item# 25930 - 8KW 230VAC 50Hz. Military

- Daily PV Output 8Kw
- Battery Bank Storage 28Kw
- AC Output 3,5Kw
- AC Surge 6Kw
- Cargo Trailer 5'x10'
- Axle single 4,500Lbs

Item# 25904 - 16KW 120VAC 60Hz.

Item# 25905 - 16KW 230VAC 50Hz.

Item# 25940 - 16KW 120VAC 60Hz.

Item# 25950 - 16KW 230VAC 50Hz.

- Daily PV Output 16Kw
- Battery Bank Storage 40Kw
- AC Output 7Kw
- AC Surge 12Kw Cargo Trailer 6'x20'
- Axle tandem 5,800Lbs

Item# 359570 - 16KW 120VAC 60Hz/240.

Modular Energy Storage 16KWh Battery Storage, Large Scale Battery Storage new modular design Plug and Play IQUPS Technology that lets Clients like Hospitals, Airport, Industries, and Utilities scale up as is needed.

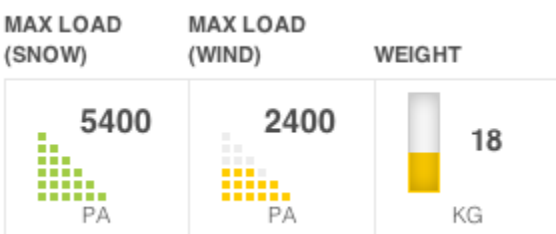


Optional units: system it's designed to connect the following: Fuel Cells, Wind Generators.

[Get A Quote](#)

Support at 347-624-5693 or email Sales@OkSolar.com

Solar Modules: Frame Characteristics Anodized aluminum.



- MAX LOAD (SNOW) 5400PA
- Max LOAD (WIND) 2400

Warranty

- 10 year product warranty
- 25 year linear power output warranty (max. degression in performance of 0.7 percent p.a.)

Certifications

- EN/IEC 61215, CE, TUV, MCS
- IEC 61730
- IEC 62716 (ammonia resistance)
- IEC 61701 (salt mist - severity level 6)

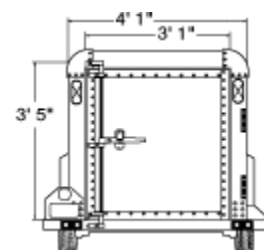
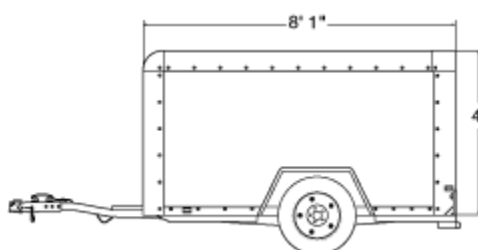
Power Unit (SPDC):

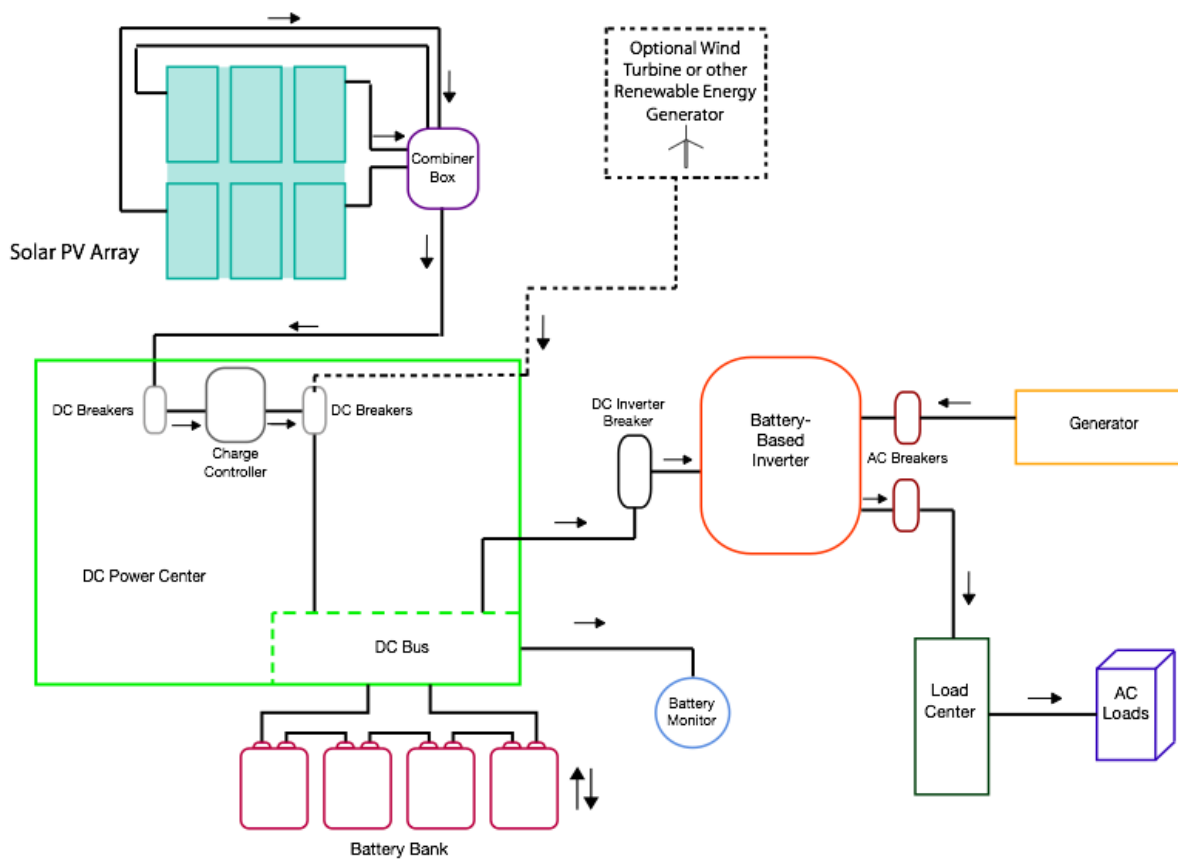
Each **SPDC Power unit** system is a complete power conversion system that includes a DC to AC inverter, battery charger, and AC transfer switch.

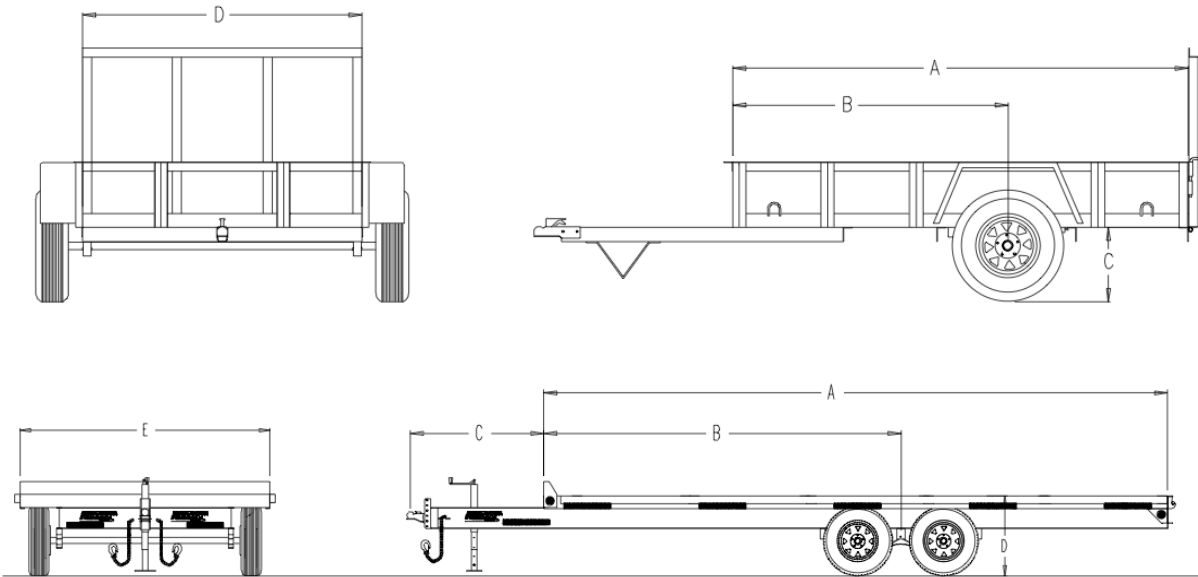
Expandable design for additional **SPDC Power units or TSPDC Transportable (Trailers-Modular Containers)** can be added at any time either in parallel (120 VAC), series (120/240 VAC), or three-phase (120Y208 VAC) configurations, allowing the system to be tailored to the specific application.

Systems configurations: Can be in the form of Utility Trailer, Modular Containers, Modular Offices.

Optional: Fuel Cells, Wind Generator.



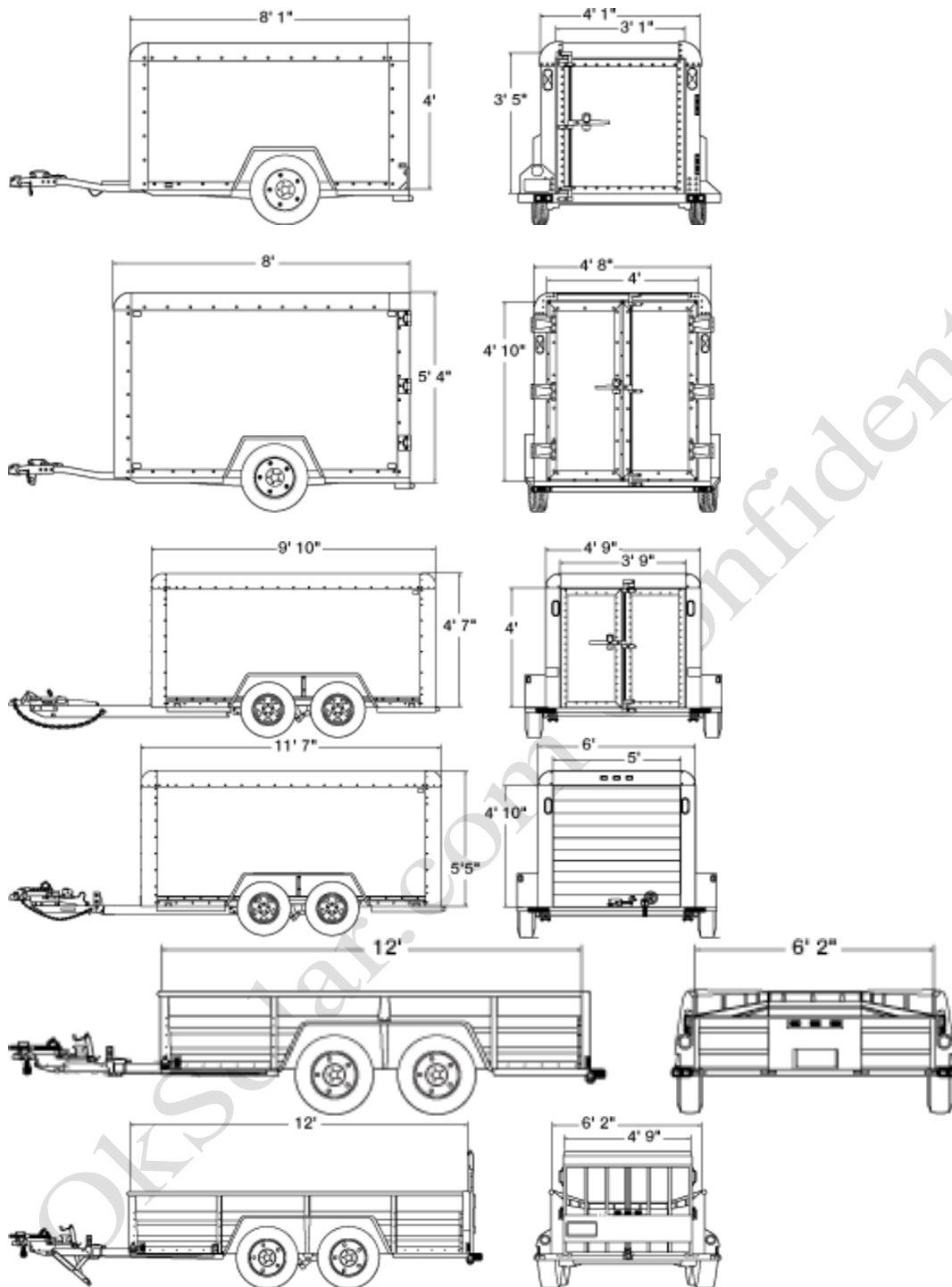




Frequently Asked Questions:

- **How long will take to setup and run the system?**
Set the IQ solar generator up in about One Person 5 minutes after towing!
- **Solar generator will work at night or if it's cloudy?**
Yes, a large deep-cycle, solar batteries are integrated into the unit store energy for days, and sometimes weeks, of usage.
- **How long will the IQ solar generator supply power without sun?**
This depends on how much power you draw from the system, the size of the battery bank and how low you want your batteries to get before the inverter shuts off or tells generator fuel Cells to automatically start and bring the batteries back up to 100% capacity.
- **Not permit or license needed for an IQ solar generator?**
Because the unit is mobile there are no city or state permits required. This means no fees, no inspectors or bureaucratic.
- **Maintenance involved:**
The panels should be cleaned regularly. Just spray them with a hose and squeegee off the water.
Gel Batteries are maintenance Free!
- **Manufacturer original Warranty:** Panels are for 20 to 25 years, depending on make. You can expect 30-40 years of productivity. Batteries between 7 and 10 years - depending on model. With proper care you can expect 10 years. Inverters and Electronics 2 years. Original Manufacturer Warranties

Note: Systems configurations and specs are subject to change without prior notice.



OkSolar.com



Support at 347-624-5693 or email Sales@OkSolar.com